



SIMPLY UNIVERSAL



## Installation Guide

January 2015

1.877.748.5533  
8901 Quality Rd  
Bonita Springs, FL, 34135  
[www.GlobalTechLED.com](http://www.GlobalTechLED.com)

One or more of the following US patent numbers may apply:  
9226356, 9171455, 9115876, 9091424, 8979304, 8246202



# STOP!

Make sure existing ballast is removed from system. Mini AC will only run on line voltage.

## Description:

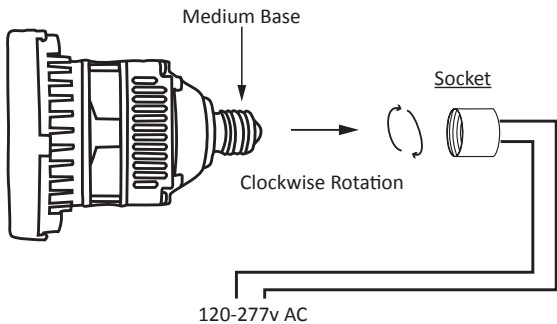
Global Tech LED's Solstice Mini AC is a universal screw-in LED retail lamp. The built-in driver makes for easy replacement of the existing lamps in recessed cans, track lighting, architectural lighting, and much more. Simply bypass the existing ballast and screw the Mini AC lamp into 120-277v socket.

## Key Features:

- Offers industry-leading 50,000 hrs rated average life.\*
- 5 year limited warranty
- Low energy consumption - 50W.
- Over temperature protection, shut down at critical temperature, and resume at operation temperature.
- Soft start.
- Under voltage protection for power off or brownout.
- Available in Warm White (2700K), Neutral White (3500K), Cool White (4000K), and Daylight White (5000K).
- High color rendering up to 90 CRI.
- Cool to touch, emits no heat through light.
- Contains no mercury.
- Made in the USA.
- Replaces up to 250W HiD.

\* Rated average life based on engineering testing and probability analysis

## Wiring Diagram



## Installation Directions

1. Turn off power before removing or installing light bulbs.
2. Remove existing bulb.
3. Bypass existing ballast, so that 120-277v AC leads directly to socket.
4. Slowly screw in Global Tech LED Mini AC holding the plastic **COVER**. \*when installing in can with cover, leave  $\geq 1$ " gap between the LED module and cover\*
5. Turn power back on.
6. Enjoy.



SIMPLY UNIVERSAL

1.877.748.5533  
8901 Quality Rd  
Bonita Springs, FL, 34135  
[www.GlobalTechLED.com](http://www.GlobalTechLED.com)

