

ELECTRONIC LED DRIVERS

LED Driver Type	Constant Voltage (Class 2)
Maximum Wattage	100 Watts
Input Voltage	120-277 VAC ± 10% Universal
Input Frequency	50/60Hz

APPROVALS:

- UL 879, UL8750 recognized component
- * UL 879 SAM Approved
- EN6100-3-2
- **UL Listed



ELECTRICAL SPECIFICATIONS

Watts	Hatch Part Number	Input Voltage	Input Power	Power Factor	Input Current 120/277V	Output Voltage	Output Current	Efficiency	Case Style
-------	-------------------	---------------	-------------	--------------	------------------------	----------------	----------------	------------	------------

Universal Models

100	* LV100-12N-UNV-I	Universal 120 - 277 VAC	114W	>0.90	0.96A / 0.41A	12 VDC	8A	86%	I
	LV100-12N-UNV-M	Universal 120 - 277 VAC	114W	>0.90	0.94A / 0.41A	12 VDC	8A	86%	M
	* LV100-24N-UNV-I	Universal 120 - 277 VAC	110W	>0.90	0.96A / 0.41A	24 VDC	4A	86%	I
	**LV100-24N-UNV-J	Universal 120 - 277 VAC	112W	>0.90	0.94A / 0.41A	24 VDC	4A	86%	J
	LV100-24N-UNV-M	Universal 120 - 277 VAC	110W	>0.90	0.94A / 0.41A	24 VDC	4A	87%	M

PRODUCT FEATURES :

- Protection: Short circuit and overload protection
- EMC: Meets FCC47 CFR Part 15 (Class B) Consumer Limits @ 120V
- EMC: Meets FCC47 CFR Part 15 (Class A) Non Consumer limits @ 277V
- (I,J) Case Style: Type 1 Outdoor, suitable for dry and damp locations (IP20)
- (M) Case Style: IP66
- Withstanding Voltage: I/P – O/P 2kVAC
- Temperature Range: -30° - 60°C

CASE DIMENSIONS & MECHANICAL SPECIFICATIONS ON PAGE 2

LED Driver Type	Constant Voltage (Class2)
Maximum Wattage	96 Watts
Input Voltage	120-277 VAC ± 10% Universal
Input Frequency	50/60Hz

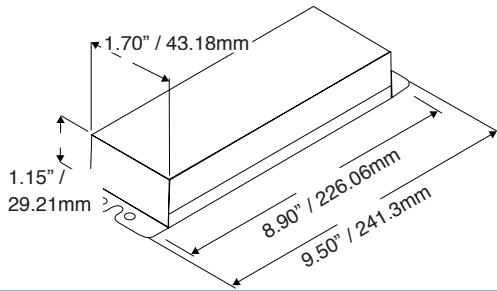
APPROVALS:

- UL 879, UL8750 recognized component
- * UL 879 SAM Approved
- EN6100-3-2



CASE DIMENSIONS & MECHANICAL SPECIFICATIONS:

WIRING DIAGRAM:



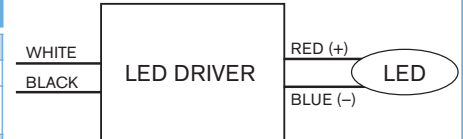
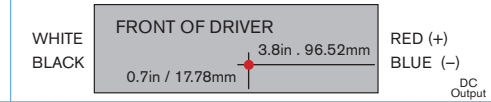
CASE STYLE

I - Metal Casing

Wiring Information

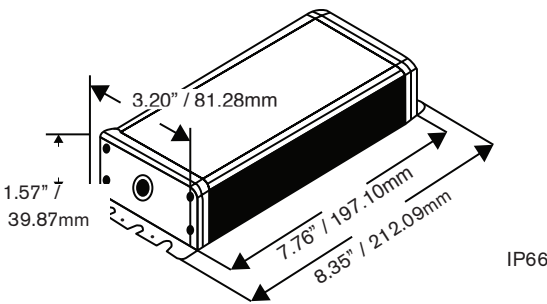
Input : 12", UL 1569 #18AWG (Black and White)
 Output : 12", UL1316 #16AWG for (SGB 100-JVG-12V) (Red and Blue)

Tc Point Location Max. T c Point Temp.: 90°C



Packaging Information

Weight : 7.76oz
 Quantity : 60pcs/ carton



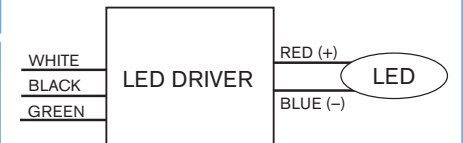
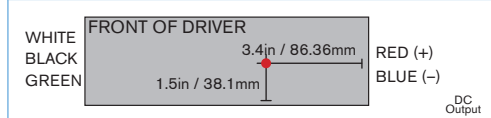
CASE STYLE

M - Aluminum Casing

Wiring Information

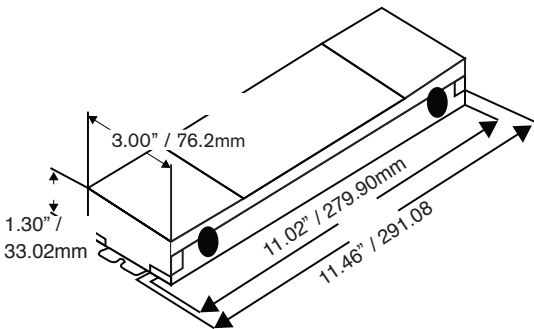
Input : 12", UL rated SJTW #18 x3C (Black, White and Green)
 Output: 12", UL rated SJTW #18AWG x2C (Black and White)

Tc Point Location Max. T c Point Temp.: 90°C



Packaging Information

Weight : 45.85oz.
 Quantity : 40pcs/ carton



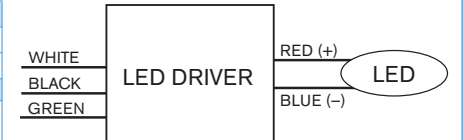
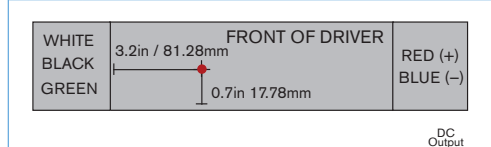
CASE STYLE

J - Metal Casing

Wiring Information

Input : 12", UL 1316 #18AWG (White, Black and Green)
 Output : 12", UL 1316/1430 #18AWG (Red and Blue)

Tc Point Location Max. T c Point Temp.: 90°C



Packaging Information

Weight : 45.85oz
 Quantity : 15pcs/ carton