

GENERAL INFORMATION

LED Driver Type	Constant Voltage (Class 2)
Maximum Wattage	40 Watts
Input Voltage	120 - 277 VAC ± 10% Universal
Input Frequency	50/60Hz
Total Harmonic Distortion	<20%

CASE STYLE W: POLYCARBONATE



ELECTRICAL SPECIFICATIONS

Watts	Output Voltage	Max Output Current	Input Voltage	Input Power	Input Current	Power Factor	Efficiency	Hatch Part Number
40W	24 VDC	1.67A	120 - 277 VAC	47W	0.50/0.13A	>0.90	86%	LV40-24N-UNV-W

PRODUCT FEATURES

- Short circuit and overload protection
- Over temperature protection
- Suitable for dry and damp locations
- Withstanding voltage: I/P – O/P 2kVAC
- Minimum start temp: -30°C

APPROVALS

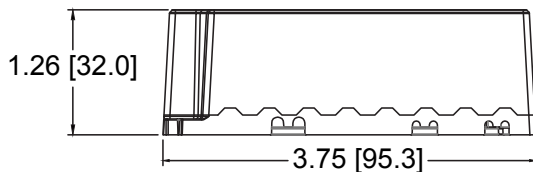
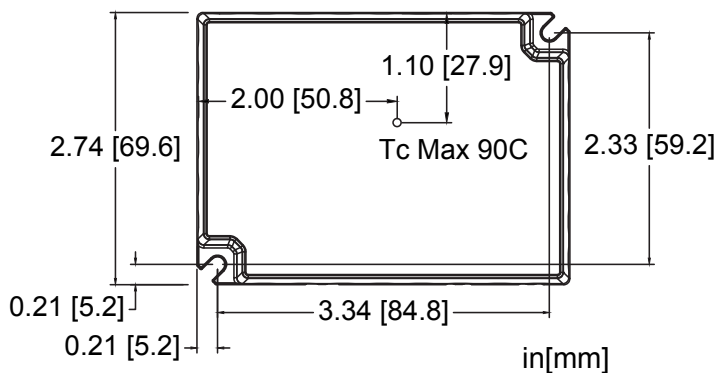
- UL 8750 recognized component
- EN61000-3-2
- EMC: Meets FCC47 CFR Part 15 (Class B) consumer limits
- IP66



WARRANTY

- 5 year limited warranty

MECHANICAL SPECIFICATIONS: CASE STYLE W



WIRING INFORMATION

Input:	12", Black (L), White (N) #18AWG
Output:	12", Red (+), Blue (-) #18AWG

PACKAGING INFORMATION

Weight:	10.6 oz
Quantity:	40pc/carton