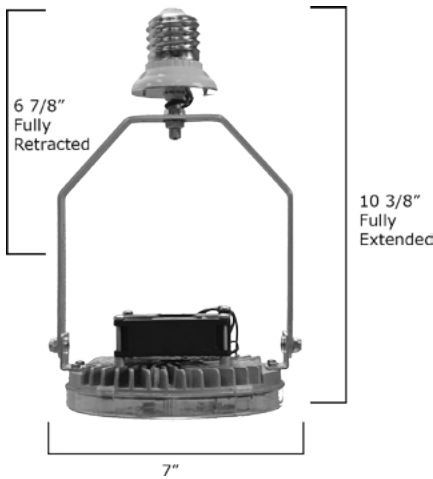


Solstice Yoke Ext. Retrofit

[75W-135W Extended Screw in Yoke LED Retrofit Kit]

Mogul E40 Base



1/2" Hollow Threaded Rods

Description and Application:

Global Tech LED's Solstice units are designed to retrofit into almost any HID fixture using custom fabricated brackets and plates for easy plug and play installation. Our extended rod design allows the module to be retrofitted in recessed cans of any depth without losing any light distribution. In larger fixtures with horizontal mounting of the yoke retrofit, extensions can be used to better center the module in the fixture. Four way switchable power options on board. This unit also comes with an Energy Saver program.

Key Features:

- Patented Life Sync Technology - Lumen depreciation maintenance, over temperature protection
- Under voltage lockout for power off or brownout
- Soft start
- Medium E26 and Mogul E39 bases
- 0-10VDC Dimming compatible
- 0-10VDC Input Port.

Driver and Wattage:

50/60Hz
Input voltage 120-277VAC

347-480VAC driver also available.
24VDC operation without driver.

On Board Programs:

- Standard
- 0-10VDC Dimming*
- 5-6-1
- *If dimming is desired please specify when ordering

Additional Information:

Operating Temperature Range:
-40°C to 55°C Nominal

Photometrics:
.ies files available

Optics offered for different distributions.
(Dist. = 120° w/o secondary optics)

Surge Protector:
- Required for ALL 347V-480V applications in order to qualify for Warranty
- Recommended for all outdoor applications

L70 > 150,000Hrs.

Life Sync adjusts module to operate at max performance in any given environment

Warranty: Driver = 5 years
Solstice Light Engine = 10 years

LED Module Compatibility

Product	Output Setting	LED Chip Drive Current [mA]	Rated Lumens [Lm]	Rated Watts [W]
GTSOL5498 x 1	HO	900	13164	135
GTSOL5498 x 1	HI	700	9447	95
GTSOL5498 x 1	MH	525	8999	85
GTSOL5498 x 1	ML	350	7814	75

Accessories

Catalog #	Description
IP67	IP67 Rated LED Engine
5498-DRBR	Driver Bracket for Yoke
GT-LSP-120	Surge Protector. 120 V 10 kA Parallel. 20kA maximum discharge current.
GT-LSP-240	Surge Protector. 240 V 10 kA Parallel. 20kA maximum discharge current.
GT-LSP-277	Surge Protector. 277 V 10 kA Parallel. 20kA maximum discharge current.
GT-LSP-347	Surge Protector. 347 V 10 kA Parallel. 20kA maximum discharge current.
GT-LSP-480	Surge Protector. 480 V 10 kA Parallel. 20kA maximum discharge current.

Base Options

Catalog #	Description
MGL	Mogul Base (E39)
MED	Medium Base (E27)
BUB	U-Bracket (No Base)



Fully Compliant with ARRA Buy American Requirements. Made in the USA.

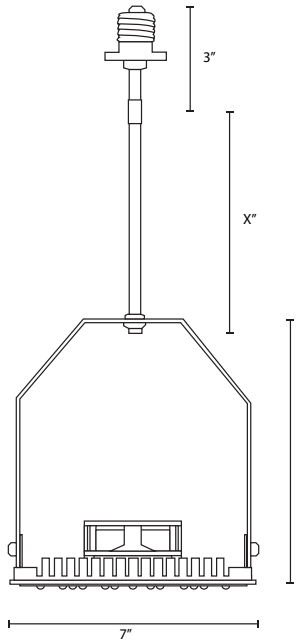


Solstice Yoke Ext. Retrofit

[75W-135W Extended Screw in Yoke LED Retrofit Kit]

SR16-6R1

Details



Features



- Life Sync
 - Module Temp Protection
 - Lumen Depreciation Maintenance
- Wattage Selections (on board)
- On Board Programming
 - 5-6-1 Energy Saving Program
 - 0-10V Dimming
- Lumiled Luxeon LED chips
- Active Thermal Management
- Optical Distribution Options
- -40°C to 55°C Nominal Operating Temperature
- 10 Year Warranty

Ordering Code Example:

GTR - HB - 5498 - HO - SV - BR - 25D - SOLY - MED - EXT6IN / IP67

Retrofit	Category	Module	Wattage	Voltage	CCT	Lens	Mounting Method	Accs	Accs	Accs
GTR	AR = Area/Roadway	5498	HO (135W)	SV (120V-277V)	GR (5000K) [70CRI]	NL = No Lens	SOLY = Yoke Mount	MGL	EXT2IN = 2"	IP67 = 1x5498*
	HB = High Bay			HV (347V-480V)	BR (5000K) [80CRI]	10D = 10D Lens		MED	EXT4IN = 4"	
	WP = Wall Pack	5498	HI (95W)	SV (120V-277V)	YW (4100K) [70CRI]	25D = 25D Lens	BUB	EXT6IN = 6"	GT-LSP-120	
	PG = Parking Garage			HV (347V-480V)	BL (4000K) [80CRI]	50D = 50D Lens		EXT8IN = 8"	GT-LSP-240	
	FC = Fuel Canopy	5498	MH (85W)	SV (120V-277V)	RD (3500K) [80CRI]	75D = 75D Lens		EXT10IN = 10"	GT-LSP-277	
	PT = Post Top			HV (347V-480V)	PR (3000K) [95CRI]	360D = 360D Lens		EXT12IN = 12"	GT-LSP-347	
	HZ = Hazardous	5498	ML (75W)	SV (120V-277V)	OR (2700K) [80CRI]	360s = 360 Square Lens		EXT14IN = 14"	GT-LSP-480	
	BD = Bollard			HV (347V-480V)	GRO (Grow)†	T2 = Type II Lens		EXT16IN = 16"		
	TB = Tube			AMB (Amber)†	T3 = Type III Lens					
	SI = Screw In			AQU (Aquarium)†						
GW = Horticulture				RYB (Royal Blue)†						

* IP67 upgrade for module + fan (only NL, 10D, 25D, 50D & 75D)
 † Upcharges not included in MSRP Price
 [If 135 Watts is desired, a 150 Watt driver is required]

Please see previous page for accessory information
 Please note, prices may change with quantity

Fully Compliant with ARRA Buy American Requirements. Made in the USA.