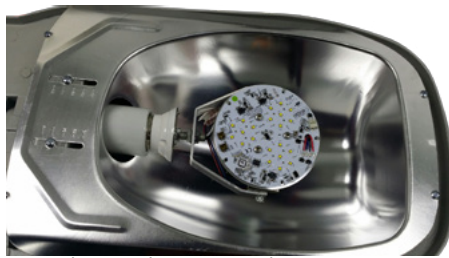


Mini Yoke Retrofit

[30W-60W Screw In Yoke LED Retrofit Kit]



Medium E26 Base



Bolt on Yoke Mounted GTSOLM21



Description and Application:

Global Tech LED's Solstice units are designed to retrofit into almost any HID fixture using custom fabricated brackets and plates for easy plug and play installation. We can articulate our units and offer a wide array of innovative optics to deliver the light precisely where it's needed. Four way switchable power options on board. This unit also comes with an Energy Saver program.

Key Features:

- Patented Life Sync Technology - Lumen depreciation maintenance, over temperature protection.
- Under voltage lockout for power off or brownout
- Soft start
- Medium E26 and Mogul E39 bases
- 0-10VDC Dimming compatible
- 0-10VDC Input Port.
- Tilttable module on yoke

Driver and Wattage:

50/60Hz
Input voltage 120-277VAC 60W
347-480VAC driver also available.

24VDC operation without driver.
GTSOLM21 – 30W, 40W, 50W, 60W
per Solstice unit.

On Board Programs:

- Standard
- 5-6-1
- 0-10VDC Dimming*
- *If dimming is desired please specify when ordering

Additional Information:

Operating Temperature Range:
-40°C to 55°C Nominal

Photometrics:
.ies files available

Optics offered for different distributions.
(Dist. = 120° w/o secondary optics)

Surge Protector:
- Required for ALL 347V-480V applications in order to qualify for Warranty
- Recommended for all outdoor applications

L70 > 150,000Hrs.

Life Sync adjusts module to operate at max performance in any given environment

Warranty: Driver = 5 years
Solstice Light Engine = 10 years

*Available in stock-able packaging

LED Module Compatibility

Product	Output Setting	LED Chip Drive Current [mA]	Rated Lumens [Lm]	Rated Watts [W]
GTSOLM21 x 1	HI	700	5910	60
GTSOLM21 x 1	MH	600	4594	50
GTSOLM21 x 1	ML	500	3742	40
GTSOLM21 x 1	LO	400	2679	30

Accessories

Catalog #	Description
IP67	IP67 Rated LED Engine
M21-DRBR	Driver Bracket for Yoke
GT-LSP-120	Surge Protector. 120 V 10 kA Parallel. 20kA maximum discharge current.
GT-LSP-240	Surge Protector. 240 V 10 kA Parallel. 20kA maximum discharge current.
GT-LSP-277	Surge Protector. 277 V 10 kA Parallel. 20kA maximum discharge current.
GT-LSP-347	Surge Protector. 347 V 10 kA Parallel. 20kA maximum discharge current.
GT-LSP-480	Surge Protector. 480 V 10 kA Parallel. 20kA maximum discharge current.

Base Options

Catalog #	Description
MGL	Mogul Base (E39)
MED	Medium Base (E27)
BUB	U-Bracket (No Base)



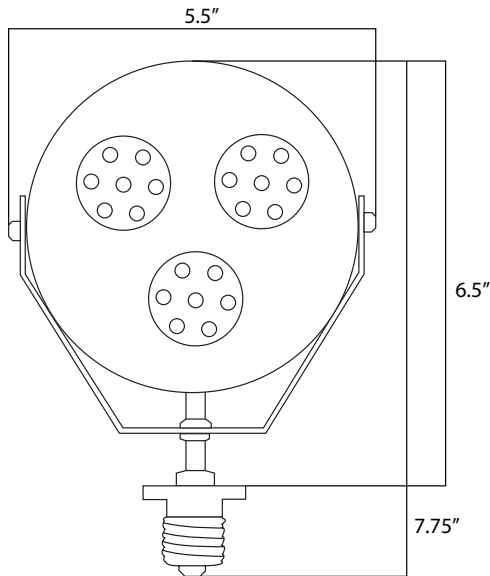
Fully Compliant with ARRA Buy American Requirements. Made in the USA.



Mini Yoke Retrofit

[30W-60W Screw In Yoke LED Retrofit Kit]

Details



Features



- Life Sync
- Module Temp Protection
- Lumen Depreciation Maintenance
- Wattage Selections (on board)
- On Board Programming
 - 5-6-1 Energy Saving Program
 - 0-10V Dimming
- Lumiled Luxeon LED chips
- Active Thermal Management
- Optical Distribution Options
- -40°C to 55°C Nominal Operating Temperature
- 10 Year Warranty

Ordering Code Example:

GTR - AR - M21 - HI - SV - GR - NL - SOLY - MED / IP67

Retrofit	Category	Module	Wattage	Voltage		CCT	Lens	Mounting Method	Accs		Accs	
GTR	AR = Area/Roadway	M21	HI (60W)	SV (120V-277V)		GR (5000K) [70CRI]	NL = No Lens	SOLY = Yoke Mount	MGL		IP67 = 1xM21*	
	HB = High Bay			HV (347V-480V)		BR (5000K) [80CRI]	10D = 10D Lens		MED	M21-DRBR		
	WP = Wall Pack	M21	MH (50W)	SV (120V-277V)		YW (4100K) [70CRI]	25D = 25D Lens		BUB		GT-LSP-120	
	PG = Parking Garage			HV (347V-480V)		BL (4000K) [80CRI]	50D = 50D Lens				GT-LSP-240	
	FC = Fuel Canopy	M21	ML (40W)	SV (120V-277V)		RD (3500K) [80CRI]	75D = 75D Lens				GT-LSP-277	
	PT = Post Top			HV (347V-480V)		PR (3000K) [95CRI]	360D = 360D Lens				GT-LSP-347	
	HZ = Hazardous	M21	LO (30W)	SV (120V-277V)		OR (2700K) [80CRI]	360s = 360 Square Lens				GT-LSP-480	
	BD = Bollard			HV (347V-480V)		GRO (Grow)†	T2 = Type II Lens					
	TB = Tube					AMB (Amber)†	T3 = Type III Lens					
	SI = Screw In					AQU (Aquarium)†						
GW = Horticulture					RYB (Royal Blue)†							

* IP67 upgrade for module + fan (only NL, 10D, 25D, 50D & 75D)

† Upcharges not included in MSRP Price

** Please see previous page for Base Option information

Please see previous page for accessory information

Please note, prices may change with quantity

Fully Compliant with ARRA Buy American Requirements. Made in the USA.