

Solstice Yoke Retrofit [75W-135W Screw In Yoke LED Retrofit Kit]



Medium E26 Base



*Available in stock-able packaging

Description and Application:

Global Tech LED's Solstice units are designed to retrofit into almost any HID fixture using custom fabricated brackets and plates for easy plug and play installation. We can articulate our units and offer a wide array of innovative optics to deliver the light precisely where it's needed. Four way switchable power options on board. This unit also comes with an Energy Saver program.

Key Features:

- Patented Life Sync Technology - Lumen depreciation maintenance, over temperature protection
- Under voltage lockout for power off or brownout
- Soft start
- Medium E26 and Mogul E39 bases
- 0-10VDC Dimming compatible
- 0-10VDC Input Port.
- Tilttable and Slidable module along yoke bracket

Driver and Wattage:

50/60Hz
Input voltage 120-277VAC

347-480VAC driver also available.
24VDC operation without driver.

On Board Programs:

- Standard
- 0-10VDC Dimming*
- 5-6-1
- *If dimming is desired please specify when ordering

Additional Information:

Operating Temperature Range:
-40°C to 55°C Nominal

Photometrics:
.ies files available

Optics offered for different
distributions.
(Dist. = 120° w/o secondary optics)

Surge Protector:
- Required for ALL 347V-480V applications in order to qualify for Warranty
- Recommended for all outdoor applications

L70 > 150,000Hrs.

Warranty: Driver = 5 years
Solstice Light Engine = 10 years

Life Sync adjusts module to
operate at max performance in
any given environment

LED Module Compatibility

Product	Output Setting	LED Chip Drive Current [mA]	Rated Lumens [Lm]	Rated Watts [W]
GTSOLS498 x 1	HO	900	13164	135
GTSOLS498 x 1	HI	700	9447	95
GTSOLS498 x 1	MH	525	8999	85
GTSOLS498 x 1	ML	350	7814	75

Accessories

Catalog #	Description
IP67	IP67 Rated LED Engine
5498-DRBR	Driver Bracket for Yoke
GT-LSP-120	Surge Protector. 120 V 10 kA Parallel. 20kA maximum discharge current.
GT-LSP-240	Surge Protector. 240 V 10 kA Parallel. 20kA maximum discharge current.
GT-LSP-277	Surge Protector. 277 V 10 kA Parallel. 20kA maximum discharge current.
GT-LSP-347	Surge Protector. 347 V 10 kA Parallel. 20kA maximum discharge current.
GT-LSP-480	Surge Protector. 480 V 10 kA Parallel. 20kA maximum discharge current.

Base Options

Catalog #	Description
MGL	Mogul Base (E39)
MED	Medium Base (E27)
BUB	U-Bracket (No Base)



Fully Compliant with ARRA Buy American Requirements. Made in the USA.

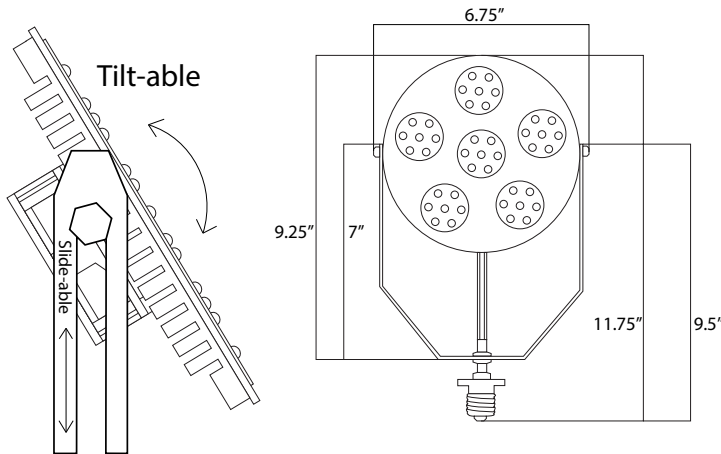


Solstice Yoke Retrofit

[75W-135W Screw In Yoke LED Retrofit Kit]

SR16-6R1

Details



Features



- Life Sync
 - Module Temp Protection
 - Lumen Depreciation Maintenance
- Wattage Selections (on board)
- On Board Programming
 - 5-6-1 Energy Saving Program
 - 0-10V Dimming
- Lumiled Luxeon LED chips
- Active Thermal Management
- Optical Distribution Options
- -40°C to 55°C Nominal Operating Temperature
- 10 Year Warranty

Ordering Code Example:

GTR - HB - 5498 - HI - SV - BR - NL - SOLY - MED / IP67

Retrofit	Category	Module	Wattage	Voltage		CCT	Lens	Mounting Method	Accs		Accs	
GTR	AR = Area/Roadway	5498	HO (135W)	SV (120V-277V)		GR (5000K) [70CRI]	NL = No Lens	SOLY = Yoke Mount	MGL		IP67 = 1x5498*	
	HB = High Bay			HV (347V-480V)		BR (5000K) [80CRI]	10D = 10D Lens		MED	5498-DRBR		
	WP = Wall Pack	5498	HI (95W)	SV (120V-277V)		YW (4100K) [70CRI]	25D = 25D Lens		BUB		GT-LSP-120	
	PG = Parking Garage			HV (347V-480V)		BL (4000K) [80CRI]	50D = 50D Lens				GT-LSP-240	
	FC = Fuel Canopy	5498	MH (85W)	SV (120V-277V)		RD (3500K) [80CRI]	75D = 75D Lens				GT-LSP-277	
	PT = Post Top			HV (347V-480V)		PR (3000K) [95CRI]	360D = 360D Lens				GT-LSP-347	
	HZ = Hazardous	5498	ML (75W)	SV (120V-277V)		OR (2700K) [80CRI]	360s = 360 Square Lens				GT-LSP-480	
	BD = Bollard			HV (347V-480V)		GRO (Grow)†	T2 = Type II Lens					
	TB = Tube					AMB (Amber)†	T3 = Type III Lens					
	SI = Screw In					AQU (Aquarium)†						
GW = Horticulture					RYB (Royal Blue)†							

* IP67 upgrade for module + fan (only NL, 10D, 25D, 50D & 75D)
 † Upcharges not included in MSRP Price
 [Please see previous page for Base Option information]
 [If 135 Watts is desired, a 150 Watt driver is required]

Please see previous page for accessory information
 Please note, prices may change with quantity

Fully Compliant with ARRA Buy American Requirements. Made in the USA.