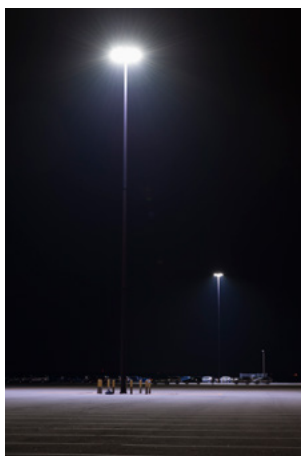


## Titan Univ. Shoe Box Plate [200W-360W Universal Shoe Box Kit]



Minimum Fixture  
Dimensions:  
18.3" x 12.5"

Maximum Fixture  
Dimensions:  
34.8" x 29"



### Description and Application:

The new Global Tech LED Universal Plates are an innovative solution which solves the issue of needing a custom plate. With these new plate systems a range of fixture sizes can be retrofit using the same universal plate kit. This Universal Flood Plate features one Solstice Titan LED module, Driver, Plate, and fully adjustable arms.

### Key Features:

- Patented Life Sync Technology - Lumen depreciation maintenance, over temperature protection
- Soft start
- 0-10VDC Dimming compatible
- 0-10VDC Input port

### 4 Wattage Selection of Switch:

GTSOL112 – 200W, 260W, 300W, 360W

### Driver and Wattage:

50/60Hz  
Input voltage 120-277VAC  
347-480VAC driver also available  
24VDC operation without driver.

### Additional Information:

Operating Temperature Range:  
-40°C to 55°C Nominal

Optics offered for different distributions.  
(Dist. = 120° w/o secondary optics)

L70 > 150,000Hrs.

Life Sync adjusts module to operate at max  
performance in any given environment

Photometrics:  
.ies files available

Surge Protector:  
- Required for ALL 347V-480V applications in order  
to qualify for Warranty  
- Recommended for all outdoor applications

Warranty: Driver = 5 years  
Solstice Light Engine = 10 years

### Accessories

Catalog #	Description
<b>IP67</b>	IP67 Rated LED Engine
<b>GT-LSP-120</b>	Surge Protector. 120 V 10 kA Parallel. 20kA maximum discharge current.
<b>GT-LSP-240</b>	Surge Protector. 240 V 10 kA Parallel. 20kA maximum discharge current.
<b>GT-LSP-277</b>	Surge Protector. 277 V 10 kA Parallel. 20kA maximum discharge current.
<b>GT-LSP-347</b>	Surge Protector. 347 V 10 kA Parallel. 20kA maximum discharge current.
<b>GT-LSP-480</b>	Surge Protector. 480 V 10 kA Parallel. 20kA maximum discharge current.

### LED Module Compatibility

Product	Output Setting	LED Chip Drive Current [mA]	Rated Lumens [Lm]	Rated Watts [W]
GTSOL112 x 1	HO	2983	33260	360
GTSOL112 x 1	HI	2321	28610	300
GTSOL112 x 1	MH	2120	24290	260
GTSOL112 x 1	ML	1670	19570	200



Fully Compliant with ARRA Buy American Requirements. Made in the USA.

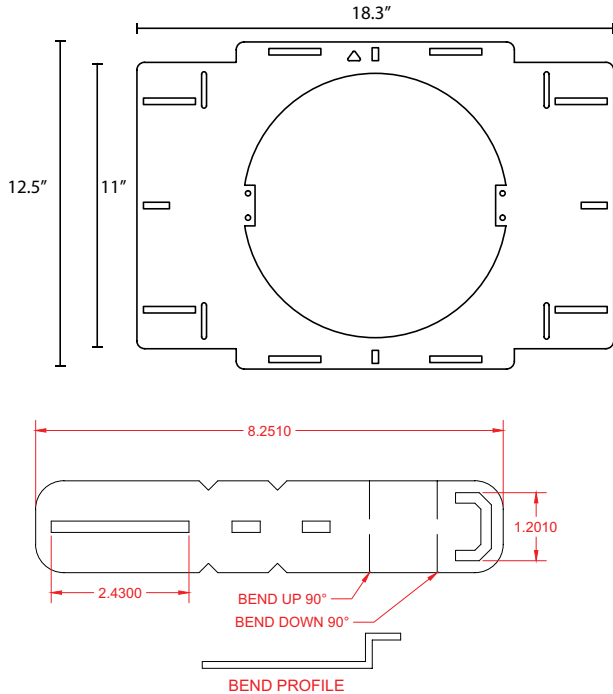


# Pricing Information

## Titan Univ. Shoe Box Plate [200W-360W Universal Shoe Box Kit]

SR16-6R1

### Details



### Features



- Life Sync
- Module Temp Protection
- Lumen Depreciation Maintenance
- Wattage Selections (on board)
- On Board Programming
- 5-6-1 Energy Saving Program
- 0-10V Dimming
- Lumiled Luxeon LED chips
- Active Thermal Management
- Optical Distribution Options
- -40°C to 55°C Nominal Operating Temperature
- 10 Year Warranty

Minimum Fixture Dimensions:  
18.3" x 12.5"

Maximum Fixture Dimensions:  
34.8" x 29"

### Ordering Code Example:

GTR - AR - 112 - HI - SV - BL - NL - UVSB / GT-LSP-120

Retrofit	Category	Module	Wattage	Voltage		CCT	Lens	Mounting Method	Accs	
GTR	AR = Area/Roadway	112	HO (360W)	SV (120V-277V)		BR (5000K) [80CRI]	NL = No Lens	UVSB = Universal Shoe Box	IP67 = 112*	
	HB = High Bay			HV (347V-480V)		BL (4000K) [80CRI]	10D = 10D Lens			
	WP = Wall Pack	112	HI (300W)	SV (120V-277V)		OR (2700K) [80CRI]	25D = 25D Lens			GT-LSP-240
	PG = Parking Garage			HV (347V-480V)		50D = 50D Lens	GT-LSP-277			
	FC = Fuel Canopy	112	MH (260W)	SV (120V-277V)			75D = 75D Lens			GT-LSP-347
	PT = Post Top			HV (347V-480V)			360D = 360D Lens			GT-LSP-480
	HZ = Hazardous	112	ML (200W)	SV (120V-277V)			360s = 360 Square Lens			
	BD = Bollard			HV (347V-480V)			T2 = Type II Lens			
	TB = Tube						T3 = Type III Lens			
	SI = Screw In									
GW = Horticulture										

\* IP67 upgrade for module + fan (only NL, 10D, 25D, 50D & 75D)

Please see previous page for accessory information

Please note, prices may change with quantity

**Fully Compliant with ARRA Buy American Requirements. Made in the USA.**