

Mini Univ. Post Top Kit [30W-60W Universal LED Post Top Kit]



Minimum Fixture
Diameter:
7"

Maximum Fixture
Diameter:
22"



Description and Application:

The new Global Tech LED Universal Plates are an innovative solution which solves the issue of needing a custom plate. With these new plate systems a range of fixture sizes can be retrofit using the same universal plate kit. This Universal Post Top features one Solstice Mini LED module, Driver, Plate, and fully adjustable arms.

Key Features:

- Patented Life Sync Technology - Lumen depreciation maintenance, over temperature protection
- Soft start
- 0-10VDC Dimming compatible
- 0-10VDC Input Port

4 Wattage Selection of Switch:

1XGTSOLM21 – 30W, 40W, 50W, 60W

Driver and Wattage:

50/60Hz
Input voltage 120-277VAC 100W

347-480VAC driver also available.
24VDC operation without driver.

Additional Information:

Operating Temperature Range:
-40°C to 55°C Nominal

Photometrics:
.ies files available

Optics offered for different distributions.
(Dist. = 120° w/o secondary optics)

Surge Protector:
- Required for ALL 347V-480V applications in order to qualify for Warranty
- Recommended for all outdoor applications

L70 > 150,000Hrs.

Life Sync adjusts module to operate at max performance in any given environment

Warranty: Driver = 5 years
Solstice Light Engine = 10 years

LED Module Compatibility

Product	Output Setting	LED Chip Drive Current [mA]	Rated Lumens [Lm]	Rated Watts [W]
GTSOLM21 x 1	HI	700	5910	60
GTSOLM21 x 1	MH	600	4594	50
GTSOLM21 x 1	ML	500	3742	40
GTSOLM21 x 1	LO	400	2679	30

Accessories

Catalog #	Description
IP67	IP67 Rated LED Engine
GT-LSP-120	Surge Protector. 120 V 10 kA Parallel. 20kA maximum discharge current.
GT-LSP-240	Surge Protector. 240 V 10 kA Parallel. 20kA maximum discharge current.
GT-LSP-277	Surge Protector. 277 V 10 kA Parallel. 20kA maximum discharge current.
GT-LSP-347	Surge Protector. 347 V 10 kA Parallel. 20kA maximum discharge current.
GT-LSP-480	Surge Protector. 480 V 10 kA Parallel. 20kA maximum discharge current.



*Available in stock-able packaging



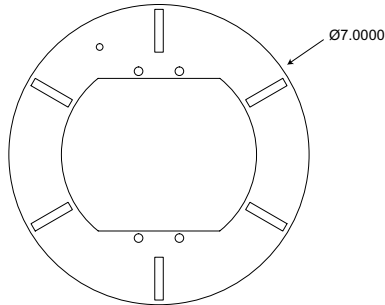
Fully Compliant with ARRA Buy American Requirements. Made in the USA.



Mini Univ. Post Top Kit

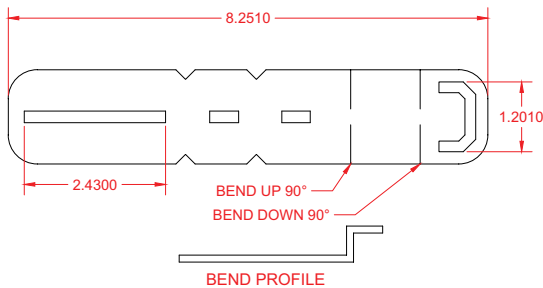
[30W-60W Universal LED Post Top Kit]

Details



Minimum Fixture Diameter:
7"

Maximum Fixture Diameter:
22"



Features



- Life Sync
- Module Temp Protection
- Lumen Depreciation Maintenance
- Wattage Selections (on board)
- On Board Programming
- 5-6-1 Energy Saving Program
- 0-10V Dimming
- Lumiled Luxeon LED chips
- Active Thermal Management
- Optical Distribution Options
- -40°C to 55°C Nominal Operating Temperature
- 10 Year Warranty

Ordering Code Example:

GTR - PT - M21 - ML - SV - RD - 75D - UVPT / -----

Retrofit	Category	Module	Wattage	Voltage	CCT	Lens	Mounting Method	Accs
GTR	AR = Area/Roadway	M21	HI (60W)	SV (120V-277V)	GR (5000K) [70CRI]	NL = No Lens	UVPT = Universal Post Top	IP67 = M21*
	HB = High Bay			HV (347V-480V)	BR (5000K) [80CRI]	10D = 10D Lens		GT-LSP-120
	WP = Wall Pack	M21	MH (50W)	SV (120V-277V)	YW (4100K) [70CRI]	25D = 25D Lens		GT-LSP-240
	PG = Parking Garage			HV (347V-480V)	BL (4000K) [80CRI]	50D = 50D Lens		GT-LSP-277
	FC = Fuel Canopy	M21	ML (40W)	SV (120V-277V)	RD (3500K) [80CRI]	75D = 75D Lens		GT-LSP-347
	PT = Post Top			HV (347V-480V)	PR (3000K) [95CRI]	360D = 360D Lens		GT-LSP-480
	HZ = Hazardous	M21	LO (30W)	SV (120V-277V)	OR (2700K) [80CRI]	360s = 360 Square Lens		
	BD = Bollard			HV (347V-480V)	GRO (Grow)†	T2 = Type II Lens		
	TB = Tube			AMB (Amber)†	T3 = Type III Lens			
	SI = Screw In			AQU (Aquarium)†				
GW = Horticulture				RYB (Royal Blue)†				

* IP67 upgrade for module + fan (only NL, 10D, 25D, 50D & 75D)

† Upcharges not included in MSRP Price

Please see previous page for accessory information

Please note, prices may change with quantity

Fully Compliant with ARRA Buy American Requirements. Made in the USA.