

# Mini Universal Bracket Kit

## [30W-60W Universal LED Bracket Kit]



### LED Module Output

Product	Output Setting	LED Chip Drive Current [mA]	Rated Lumens [Lm]	Rated Watts [W]
GTSOLM21 x 1	HI	700	5910	60
GTSOLM21 x 1	MH	600	4594	50
GTSOLM21 x 1	ML	500	3742	40
GTSOLM21 x 1	LO	400	2679	30

### Accessories

Catalog #	Description
<b>IP67</b>	IP67 Rated LED Engine
<b>GT-LSP-120</b>	Surge Protector. 120 V 10 kA Parallel. 20kA maximum discharge current.
<b>GT-LSP-240</b>	Surge Protector. 240 V 10 kA Parallel. 20kA maximum discharge current.
<b>GT-LSP-277</b>	Surge Protector. 277 V 10 kA Parallel. 20kA maximum discharge current.
<b>GT-LSP-347</b>	Surge Protector. 347 V 10 kA Parallel. 20kA maximum discharge current.
<b>GT-LSP-480</b>	Surge Protector. 480 V 10 kA Parallel. 20kA maximum discharge current.



### Features:

- Adjustable arms fit fixtures from 6" to 12" across
- Mounts to fixture reflector mounting points
- Fully rotatable and tilt-able module
- Slides on bracket for centering in fixture
- Driver mounts to bracket in most applications
- Made in the USA
- 100,000+ Hr expected life
- Lumen Depreciation Maintenance: 120,000+ Hrs
- Soft start - ramps up to 100% output in 5 seconds
- 0-10V dimming/control compatible
- Life Sync thermal protection system
- 10 year warranty on module\*
- L70 > 150,000Hrs.

### Applications:

- Area
- Shoe box
- Flood

### Physical:

- 1xGTSOLM21
- Vortex heat sink for optimum heat dissipation
- Moisture sealed circuit board
- Long life fan utilizing Magnetic Levitation
- 21 premium high output LED chips
- IP67 rated module (Optional)

### Performance:

- Available LED Wattages: 30W, 40W, 50W, 60W
- Max Lumen Output: 5,910Lm
- 7 available standard color temperatures and 4 specialty color outputs
- 5-6-1 energy saver option (built in)
- 9 optical light distribution options - Type II, Type III, Type V
- Operating Temperature: -40°C to 55°C Nominal
- Minimum CRI: 70
- Patented Life Sync Technology - Lumen depreciation maintenance, over temperature protection

### Electrical:

- Driver input voltages: 120V-277V or 347V-480V
- Module input voltage: 24VDC
- Max chip drive: 700mA
- Solar applications: 24VDC direct to module
- 5 year warranty on driver

\* Surge Protector required for ALL 347V-480V applications in order to qualify for warranty. Surge Protector recommended for all outdoor applications.

**Fully Compliant with ARRA Buy American Requirements. Made in the USA.**



# Mini Universal Bracket Kit

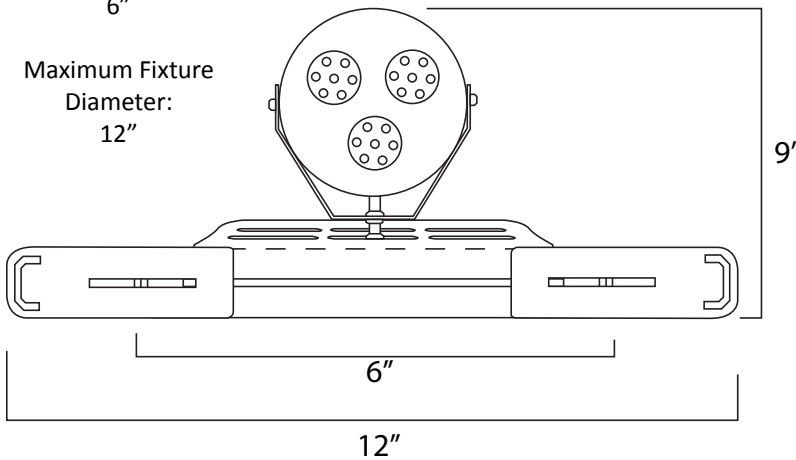
[30W-60W Universal LED Bracket Kit]

SR16-6R1

## Details

Minimum Fixture Diameter:  
6"

Maximum Fixture Diameter:  
12"



### Features



- Life Sync
- Module Temp Protection
- Lumen Depreciation Maintenance
- Wattage Selections (on board)
- On Board Programming
- 5-6-1 Energy Saving Program
- 0-10V Dimming
- Lumiled Luxeon LED chips
- Active Thermal Management
- Optical Distribution Options
- -40°C to 55°C Nominal Operating Temperature
- 10 Year Warranty

Ordering Code Example:

GTR - AR - M21 - LO - SV - BL - 25D - UVBR / IP67

Retrofit	Category	Module	Wattage	Voltage	CCT	Lens	Mounting Method	Accs
GTR	AR = Area/Roadway	M21	HI (60W)	SV (120V-277V) HV (347V-480V)	GR (5000K) [70CRI]	NL = No Lens	UVBR = Universal Bracket	IP67 = M21*
	HB = High Bay		BR (5000K) [80CRI]	10D = 10D Lens	GT-LSP-120			
	WP = Wall Pack	M21	MH (50W)	SV (120V-277V) HV (347V-480V)	YW (4100K) [70CRI]	25D = 25D Lens		GT-LSP-240
	PG = Parking Garage		BL (4000K) [80CRI]	50D = 50D Lens	GT-LSP-277			
	FC = Fuel Canopy	M21	ML (40W)	SV (120V-277V) HV (347V-480V)	RD (3500K) [80CRI]	75D = 75D Lens		GT-LSP-347
	PT = Post Top		PR (3000K) [95CRI]	360D = 360D Lens	GT-LSP-480			
	HZ = Hazardous	M21	LO (30W)	SV (120V-277V) HV (347V-480V)	OR (2700K) [80CRI]	360s = 360 Square Lens		
	BD = Bollard		GRO (Grow)†	T2 = Type II Lens				
	TB = Tube				AMB (Amber)†	T3 = Type III Lens		
	SI = Screw In				AQU (Aquarium)†			
GW = Horticulture				RYB (Royal Blue)†				

\* IP67 upgrade for module + fan (only NL, 10D, 25D, 50D & 75D)

+ Upcharges not included in MSRP Price

Please see previous page for accessory information

Please note, prices may change with quantity

**Fully Compliant with ARRA Buy American Requirements. Made in the USA.**