

Finial Mount Post Top Retrofit [30W-360W LED Post Top Retrofit]

Description:

Threaded Rod and Finial Mount option for post tops. This option provides a simple, efficient method of conversion to LED. Save time, energy, and maintenance with the Finial Mount retrofit.

Retrofit Features:

- Integrated UL listed Driver.
- Finial Mount Bracket
- Precision LED setup available for maximum photometric efficiency and optimum light distribution.
- Replaces 100W – 500W lamps, using up to 70% less energy!
- Specifications subject to change without notice.
- Patented Life Sync Technology - Lumen depreciation maintenance, over temperature protection

Module/Driver Features:

- Power - 30W-360W
- Power Supply - Quick Connect
- 120-277VAC or 347-480VAC input voltage
- Active Cooling
- Magnetic levitating fan, zero friction.

Additional Information:

Operating Temperature Range:
-40°C to 55°C Nominal

Optics offered for different distributions.
(Dist. = 120° w/o secondary optics)

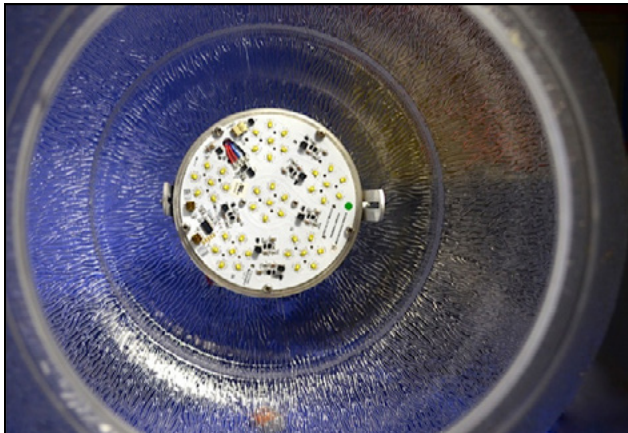
L70 > 150,000Hrs.

Life Sync adjusts module to operate at max performance in any given environment

Photometrics:
.ies files available

Surge Protector:
- Required for ALL 347V-480V applications in order to qualify for Warranty
- Recommended for all outdoor applications

Warranty: Driver = 5 years
Solstice Light Engine = 10 years



Threaded Rod
Retrofit

Finial Post Top
Fixture



Specular reflector
cone at bottom to
disperse light 360°

Accessories

| Catalog # | Description |
|-------------------|--|
| Finial | Decorative mounting option |
| IP67 | IP67 Rated LED Engine |
| GT-LSP-120 | Surge Protector. 120 V 10 kA Parallel. 20kA maximum discharge current. |
| GT-LSP-240 | Surge Protector. 240 V 10 kA Parallel. 20kA maximum discharge current. |
| GT-LSP-277 | Surge Protector. 277 V 10 kA Parallel. 20kA maximum discharge current. |
| GT-LSP-347 | Surge Protector. 347 V 10 kA Parallel. 20kA maximum discharge current. |
| GT-LSP-480 | Surge Protector. 480 V 10 kA Parallel. 20kA maximum discharge current. |



LED Module Compatibility

| Product | Output Setting | LED Chip Drive Current [mA] | Rated Lumens [Lm] | Rated Watts [W] |
|---------------|----------------|-----------------------------|-------------------|-----------------|
| GTSOL112 x 1 | HO | 900 | 33260 | 360 |
| GTSOL112 x 1 | HI | 700 | 28610 | 300 |
| GTSOL112 x 1 | MH | 525 | 24290 | 260 |
| GTSOL112 x 1 | ML | 350 | 19570 | 200 |
| GTSOL5498 x 1 | HO | 900 | 13164 | 135 |
| GTSOL5498 x 1 | HI | 700 | 9447 | 95 |
| GTSOL5498 x 1 | MH | 525 | 8999 | 85 |
| GTSOL5498 x 1 | ML | 350 | 7814 | 75 |
| GTSOLM21 x 1 | HI | 700 | 5910 | 60 |
| GTSOLM21 x 1 | MH | 600 | 4594 | 50 |
| GTSOLM21 x 1 | ML | 500 | 3742 | 40 |
| GTSOLM21 x 1 | LO | 400 | 2679 | 30 |

Fully Compliant with ARRA Buy American Requirements. Made in the USA.

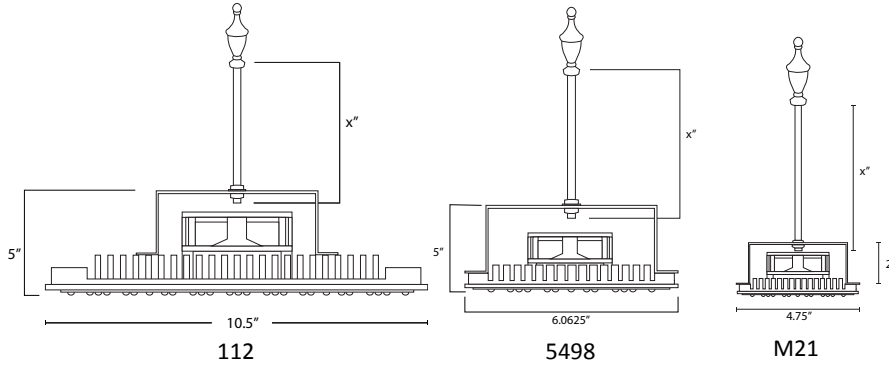


Finial Mount Post Top Retrofit

[30W-360W LED Post Top Retrofit]

SR16-6R1

Details



Features

- Life Sync
- Module Temp Protection
- Lumen Depreciation Maintenance
- Wattage Selections (on board)
- On Board Programming
- 5-6-1 Energy Saving Program
- 0-10V Dimming
- Lumiled Luxeon LED chips
- Active Thermal Management
- Optical Distribution Options
- -40°C to 55°C Nominal Operating Temperature
- 10 Year Warranty



Ordering Code Example:

GTR - PT - 5498 - HO - SV - GR - NL - PTFM - EXT6IN / FINIAL / IP67

| Retrofit | Category | Module | Wattage | Voltage | CCT | Lens | Mounting Method | Accs | Accs |
|----------|---------------------|----------------------------------|----------------------------------|----------------------------------|--|---|------------------------|---------------|----------------|
| GTR | AR = Area/Roadway | 112** | HO (360W) | SV (120V-277V) HV (347V-480V) | GR (5000K) [70CRI] BR (5000K) [80CRI] | NL = No Lens 10D = 10D Lens | PTFM = Post Top Finial | EXT2IN = 2" | FINIAL |
| | HB = High Bay | | | | | | | EXT4IN = 4" | IP67 = 1xM21* |
| | WP = Wall Pack | 112** | HI (300W) | SV (120V-277V) HV (347V-480V) | YW (4100K) [70CRI] BL (4000K) [80CRI] | 25D = 25D Lens 50D = 50D Lens | | EXT6IN = 6" | IP67 = 1x5498* |
| | PG = Parking Garage | | | | | | | EXT8IN = 8" | IP67 = 1x112* |
| | FC = Fuel Canopy | 112** | MH (260W) | SV (120V-277V) HV (347V-480V) | RD (3500K) [80CRI] PR (3000K) [95CRI] | 75D = 75D Lens 360D = 360D Lens | | EXT10IN = 10" | GT-LSP-120 |
| | PT = Post Top | | | | | | | EXT12IN = 12" | GT-LSP-240 |
| | HZ = Hazardous | 112** | ML (200W) | SV (120V-277V) HV (347V-480V) | OR (2700K) [80CRI] GRO (Grow)† | 360s = 360 Square Lens T2 = Type II Lens | | EXT14IN = 14" | GT-LSP-277 |
| | BD = Bollard | | | | | | | EXT16IN = 16" | GT-LSP-347 |
| | TB = Tube | 5498 | HO (135W) | SV (120V-277V) HV (347V-480V) | AMB (Amber)† AQU (Aquarium)† | T3 = Type III Lens | | | GT-LSP-480 |
| | SI = Screw In | | | | | | | | |
| | GW = Horticulture | 5498 | HI (95W) | SV (120V-277V) HV (347V-480V) | RYB (Royal Blue)† | | | | |
| | | | MH (85W) | SV (120V-277V) HV (347V-480V) | | | | | |
| | | 5498 | ML (75W) | SV (120V-277V) HV (347V-480V) | | | | | |
| M21 | | | HI (60W) | SV (120V-277V) HV (347V-480V) | | | | | |
| M21 | | MH (50W) | SV (120V-277V) HV (347V-480V) | | | | | | |
| M21 | ML (40W) | SV (120V-277V) HV (347V-480V) | | | | | | | |
| M21 | LO (30W) | SV (120V-277V) | | | | | | | |
| | | HV (347V-480V) | | | | | | | |

* IP67 upgrade for module + fan (only NL, 10D, 25D, 50D & 75D)

** 112 Module only offered in BR, BL & OR CCT's

† Upcharges not included in MSRP Price

Please see previous page for accessory information
Please note, prices may change with quantity

Fully Compliant with ARRA Buy American Requirements. Made in the USA.