

GTL-WP-WPC20

[35W-135W LED Wall Pack Fixture]



LED Module Compatibility

Product	Output Setting	LED Chip Drive Current [mA]	Rated Lu-mens [Lm]	Rated Watts [W]
GTSOL5498 x 1	HO	900	13164	135
GTSOL5498 x 1	HI	700	9447	95
GTSOL5498 x 1	MH	525	8999	85
GTSOL5498 x 1	ML	350	7814	75
GTSOLM21 x 1	HI	700	5910	60
GTSOLM21 x 1	MH	600	4594	50
GTSOLM21 x 1	ML	500	3742	40
GTSOLM21 x 1	LO	400	2679	30

Accessories

Catalog #	Description
WPC25GLC	Clear Flat Glass Lens
WPC25GLE	Etched Flat Glass Lens
WPC25GLP	Prismatic Flat Glass Lens
WPC25LG	Clear Polycarbonate Vandal Resistant Guard
WPC25WG	Wire Guard, Stainless Steel Construction
IP67	IP67 Rated LED Engine
GT-LSP-120	Surge Protector. 120 V 10 kA Parallel. 20kA maximum discharge current.
GT-LSP-240	Surge Protector. 240 V 10 kA Parallel. 20kA maximum discharge current.
GT-LSP-277	Surge Protector. 277 V 10 kA Parallel. 20kA maximum discharge current.
GT-LSP-347	Surge Protector. 347 V 10 kA Parallel. 20kA maximum discharge current.
GT-LSP-480	Surge Protector. 480 V 10 kA Parallel. 20kA maximum discharge current.

Description:

Die Cast aluminum housing and hinged front frame, ½ inch coin plugs with O-rings for conduit and photocell. Textured architectural bronze powder coat finish over a chromate conversion coating. Flat tempered glass lens.

Specification Features:

- CSA listed for damp locations.
- Custom colors available upon request.
- Specifications subject to change without notice.
- Dark Sky Compliant.

Input Voltage:

120-277VAC driver input.
 347-480VAC driver available.
 Without driver modules runs on 24VDC.

Housing:

Die cast aluminum housing & hinged front frame, 1/2 coin plugs with O-rings for conduit & photocell, textured architectural bronze powdercoat finish over a chromate conversion coating.

Additional Information:

Lens:
 Molded prismatic borosilicate glass lens.

Mounting:
 Cast-in template for mounting directly over a 4 recessed outlet box, or use 1/2 surface conduit.

Additional Information:

Operating Temperature Range:
 -40°C to 55°C Nominal

Optics offered for different distributions.
 (Dist. = 120° w/o secondary optics)

L70 > 150,000Hrs.

Life Sync adjusts module to operate at max performance in any given environment

Photometrics:
 .ies files available

Surge Protector:
 - Required for ALL 347V-480V applications in order to qualify for Warranty
 - Recommended for all outdoor applications

Warranty: Driver = 5 years
 Solstice Light Engine = 10 years
 Fixture = 10 years



Fully Compliant with ARRA Buy American Requirements. Made in the USA.

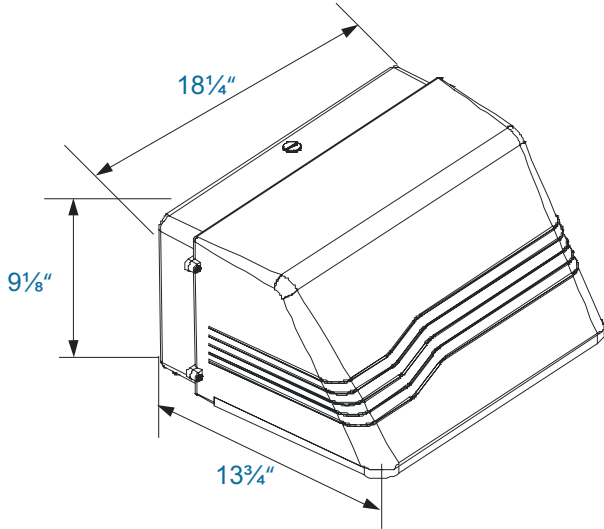


Pricing Information

GTL-WP-WPC20 [35W-135W LED Wall Pack Fixture]

SR16-6R1

Details



Features



- Life Sync
- Module Temp Protection
- Lumen Depreciation Maintenance
- Wattage Selections (on board)
- On Board Programming
- 5-6-1 Energy Saving Program
- 0-10V Dimming
- Lumiled Luxeon LED chips
- Active Thermal Management
- Optical Distribution Options
- -40°C to 55°C Nominal Operating Temperature
- 10 Year Warranty

Ordering Code Example:

GTL-WP-WPC20 - 5498 - HO - SV - GR - NL / -----

Fixture	Module	Wattage	Voltage		CCT	Lens	Accs	
GTL-WP-WPC20	5498	HO (135W)	SV (120V-277V)		GR (5000K) [70CRI]	NL = No Lens	WPC25GLC	
			HV (347V-480V)		BR (5000K) [80CRI]	10D = 10D Lens	WPC25GLE	
5498	HI (95W)	SV (120V-277V)		YW (4100K) [70CRI]	25D = 25D Lens	WPC25GLP		
		HV (347V-480V)		BL (4000K) [80CRI]	50D = 50D Lens	WPC25LG		
5498	MH (85W)	SV (120V-277V)		RD (3500K) [80CRI]	75D = 75D Lens	WPC25WG		
		HV (347V-480V)		PR (3000K) [95CRI]	360D = 360D Lens	IP67 = M21*		
5498	ML (75W)	SV (120V-277V)		OR (2700K) [80CRI]	360s = 360 Square Lens	IP67 = 5498*		
		HV (347V-480V)		GRO (Grow)†	T2 = Type II Lens	GT-LSP-120		
M21	HI (60W)	SV (120V-277V)		AMB (Amber)†	T3 = Type III Lens	GT-LSP-240		
		HV (347V-480V)		AQU (Aquarium)†		GT-LSP-277		
M21	MH (50W)	SV (120V-277V)		RYB (Royal Blue)†		GT-LSP-347		
		HV (347V-480V)				GT-LSP-480		
M21	ML (40W)	SV (120V-277V)						
		HV (347V-480V)						
M21	LO (30W)	SV (120V-277V)						
		HV (347V-480V)						

* IP67 upgrade for module + fan (only NL, 10D, 25D, 50D & 75D)

† Upcharges not included in MSRP Price

Please see previous page for accessory information

Please note, prices may change with quantity

Fully Compliant with ARRA Buy American Requirements. Made in the USA.