

# GTL-WP-WP15

## [30W-135W LED Wall Pack Fixture]



### LED Module Compatibility

Product	Output Setting	LED Chip Drive Current [mA]	Rated Lumens [Lm]	Rated Watts [W]
GTSOL5498 x 1	HO	900	13164	135
GTSOL5498 x 1	HI	700	9447	95
GTSOL5498 x 1	MH	525	8999	85
GTSOL5498 x 1	ML	350	7814	75
GTSOLM21 x 1	HI	700	5910	60
GTSOLM21 x 1	MH	600	4594	50
GTSOLM21 x 1	ML	500	3742	40
GTSOLM21 x 1	LO	400	2679	30

### Accessories

Catalog #	Description
WP15GL	Molded Prismatic Borosilicate Glass Lens with Gasket
WP15FCA	Full Cutoff, Aluminum, Textured Bronze Finish
WP15SCA	Side Cutoff, Aluminum, Textured Bronze Finish
WP15LG	Clear Polycarbonate Vandal Resistant Guard
WP15WG	Wire Guard, Stainless Steel Construction
OPT20	20° Plastic Reflector
OPT40	40° Plastic Reflector
OPT40W	40° Plastic Reflector, Wide
OPT60	60° Plastic Reflector
IP67	IP67 Rated LED Engine
GT-LSP-120	Surge Protector. 120 V 10 kA Parallel. 20kA maximum discharge current.
GT-LSP-240	Surge Protector. 240 V 10 kA Parallel. 20kA maximum discharge current.
GT-LSP-277	Surge Protector. 277 V 10 kA Parallel. 20kA maximum discharge current.
GT-LSP-347	Surge Protector. 347 V 10 kA Parallel. 20kA maximum discharge current.
GT-LSP-480	Surge Protector. 480 V 10 kA Parallel. 20kA maximum discharge current.

### Description:

Medium aluminum die cast wallpack with powder coat finish and molded prismatic borosilicate glass lens.

### Specification Features:

- CSA listed for damp locations.
- Custom colors available upon request.
- Specifications subject to change without notice.

### Input Voltage:

120-277VAC driver input.

347-480VAC driver available.

Without driver modules runs on 24VDC.

### Housing:

Die cast aluminum housing & hinged front frame, 1/2 coin plugs with O-rings for conduit & photocell, textured architectural bronze powder coat finish over a chromate conversion coating.

### Additional Details:

Lens:  
Molded prismatic borosilicate glass lens.

Listing & Ratings:  
CSA: Listed for wet locations.

Mounting:  
Cast-in template for mounting directly over a 4 recessed outlet box, or use 1/2 surface conduit

### Additional Information:

Operating Temperature Range:  
-40°C to 55°C Nominal

Photometrics:  
.ies files available

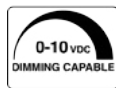
Optics offered for different distributions.  
(Dist. = 120° w/o secondary optics)

Surge Protector:  
- Required for ALL 347V-480V applications in order to qualify for Warranty  
- Recommended for all outdoor applications

L70 > 150,000Hrs.

Life Sync adjusts module to operate at max performance in any given environment

Warranty: Driver = 5 years  
Solstice Light Engine = 10 years  
Fixture = 10 years



**Fully Compliant with ARRA Buy American Requirements. Made in the USA.**

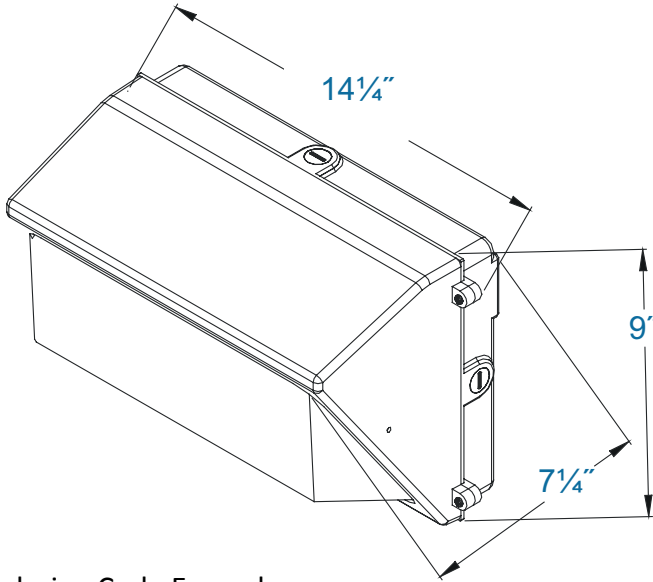


# Pricing Information

## GTL-WP-WP15 [30W-135W LED Wall Pack Fixture]

SR16-6R1

### Details



### Features



- Life Sync
  - Module Temp Protection
  - Lumen Depreciation Maintenance
- Wattage Selections (on board)
- On Board Programming
  - 5-6-1 Energy Saving Program
  - 0-10V Dimming
- Lumiled Luxeon LED chips
- Active Thermal Management
- Optical Distribution Options
- -40°C to 55°C Nominal Operating Temperature
- 10 Year Warranty

Ordering Code Example:

GTL-WP-WP15 - 5498 - HI - SV - PR - 360D / IP67

Fixture	Module	Wattage	Voltage		CCT	Lens	Accs	
GTL-WP-WP15	5498	HO (135W)	SV (120V-277V)		GR (5000K) [70CRI]	NL = No Lens	WP15GL	
			HV (347V-480V)		BR (5000K) [80CRI]	10D = 10D Lens	WP15FCA	
	5498	HI (95W)	SV (120V-277V)		YW (4100K) [70CRI]	25D = 25D Lens	WP15SCA	
			HV (347V-480V)		BL (4000K) [80CRI]	50D = 50D Lens	WP15LG	
	5498	MH (85W)	SV (120V-277V)		RD (3500K) [80CRI]	75D = 75D Lens	WP15WG	
			HV (347V-480V)		PR (3000K) [95CRI]	360D = 360D Lens	OPT20	
	5498	ML (75W)	SV (120V-277V)		OR (2700K) [80CRI]	360s = 360 Square Lens	OPT40W	
			HV (347V-480V)		GRO (Grow)†	T2 = Type II Lens	OPT60	
	M21	HI (60W)	SV (120V-277V)		AMB (Amber)†	T3 = Type III Lens	IP67 = M21*	
			HV (347V-480V)		AQU (Aquarium)†		IP67 = 5498*	
	M21	MH (50W)	SV (120V-277V)		RYB (Royal Blue)†		GT-LSP-120	
			HV (347V-480V)				GT-LSP-240	
M21	ML (40W)	SV (120V-277V)				GT-LSP-277		
		HV (347V-480V)				GT-LSP-347		
M21	LO (30W)	SV (120V-277V)				GT-LSP-480		
		HV (347V-480V)						

\* IP67 upgrade for module + fan (only NL, 10D, 25D, 50D & 75D)

† Upcharges not included in MSRP Price

Please see previous page for accessory information

Please note, prices may change with quantity

**Fully Compliant with ARRA Buy American Requirements. Made in the USA.**