

GTL-WP-WP15-ECO

[30W-40W LED Wall Pack Fixture - ECO]



LED Module Compatibility

Product	Output Setting	LED Chip Drive Current [mA]	Rated Lumens [Lm]	Rated Watts [W]
GTSOLM21-ECO x 1	ML	500	3742	40
GTSOLM21-ECO x 1	LO	400	2679	30

Accessories

Catalog #	Description
WP15GL	Molded Prismatic Borosilicate Glass Lens with Gasket
WP15FCA	Full Cutoff, Aluminum, Textured Bronze Finish
WP15SCA	Side Cutoff, Aluminum, Textured Bronze Finish
WP15LG	Clear Polycarbonate Vandal Resistant Guard
WP15WG	Wire Guard, Stainless Steel Construction
GT-LSP-120	Surge Protector. 120 V 10 kA Parallel. 20kA maximum discharge current.
GT-LSP-240	Surge Protector. 240 V 10 kA Parallel. 20kA maximum discharge current.
GT-LSP-277	Surge Protector. 277 V 10 kA Parallel. 20kA maximum discharge current.
GT-LSP-347	Surge Protector. 347 V 10 kA Parallel. 20kA maximum discharge current.
GT-LSP-480	Surge Protector. 480 V 10 kA Parallel. 20kA maximum discharge current.



Description:

Medium aluminum die cast wallpack with powder coat finish and molded prismatic borosilicate glass lens.

Specification Features:

- CSA listed for damp locations.
- Custom colors available upon request.
- Specifications subject to change without notice.

Input Voltage:

120-277VAC driver input.
 347-480VAC driver available.
 (Without driver engines runs on 24VDC.)

Housing:

Die cast aluminum housing & hinged front frame, 1/2 coin plugs with O-rings for conduit & photocell, textured architectural bronze powder coat finish over a chromate conversion coating.

Additional Fixture Information:

Lens:
 Molded prismatic borosilicate glass lens.

Listing & Ratings:
 CSA: Listed for wet locations.

Mounting:
 Cast-in template for mounting directly over a 4 recessed outlet box, or use 1/2 surface conduit

Additional Information:

Operating Temperature Range:
 -40°C to 55°C Nominal

Optics offered for different distributions.
 (Dist. = 120° w/o secondary optics)

L70 > 150,000Hrs.

Life Sync adjusts module to operate at max performance in any given environment

Photometrics:
 .ies files available

Surge Protector:
 - Required for ALL 347V-480V applications in order to qualify for Warranty
 - Recommended for all outdoor applications

Warranty: Driver = 5 years
 Solstice Light Engine = 5 years
 Fixture = 10 years

Fully Compliant with ARRA Buy American Requirements. Made in the USA.

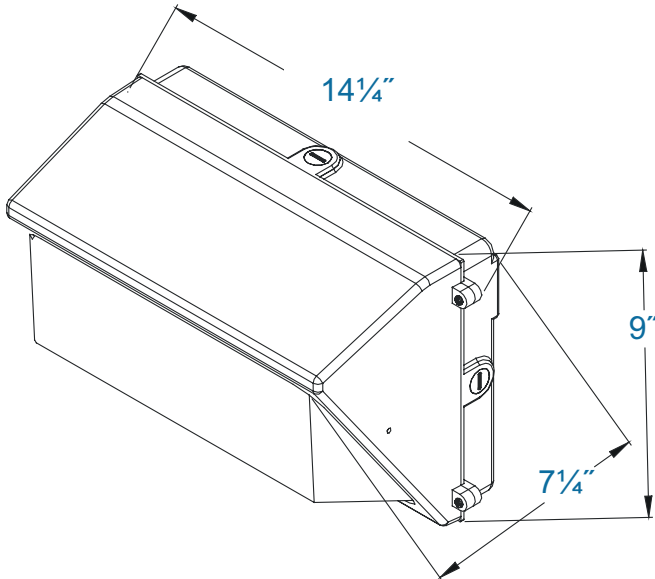


Pricing Information

GTL-WP-WP15-ECO [30W-40W LED Wall Pack Fixture - ECO]

SR16-6R1

Details



Features



- Life Sync
- Module Temp Protection
- Lumen Depreciation Maintenance
- Wattage Selections (on board)
- On Board Programming
 - 5-6-1 Energy Saving Program
 - 0-10V Dimming
- Lumiled Luxeon LED chips
- Optical Distribution Options
- -40°C to 55°C Nominal Operating Temperature
- 5 Year Warranty

Ordering Code Example:

GTL-WP-WP15 - M21-ECO - ML - SV - GR - NL / GT-LSP-120

Fixture	Module	Wattage	Voltage		CCT	Lens	Accs	
GTL-WP-WP15	M21-ECO	MH (40W)	SV (120V-277V)		GR (5000K) [70CRI]	NL = No Lens	WP15GL	
			HV (347V-480V)		BR (5000K) [80CRI]	10D = 10D Lens	WP15FCA	
	M21-ECO	ML (30W)	SV (120V-277V)		YW (4100K) [70CRI]	25D = 25D Lens	WP15SCA	
			HV (347V-480V)		BL (4000K) [80CRI]	50D = 50D Lens	WP15LG	
					RD (3500K) [80CRI]	75D = 75D Lens	WP15WG	
					PR (3000K) [95CRI]	360D = 360D Lens	OPT20	
					OR (2700K) [80CRI]	360s = 360 Square Lens	OPT40W	
						T2 = Type II Lens	OPT60	
						T3 = Type III Lens	GT-LSP-120	
							GT-LSP-240	
							GT-LSP-277	
							GT-LSP-347	
						GT-LSP-480		

Please see previous page for accessory information

Please note, prices may change with quantity

Fully Compliant with ARRA Buy American Requirements. Made in the USA.