

GTL-PG-VNGL30

[30W-95W LED Surface Mount Fixture]



LED Module Compatibility

Product	Output Setting	LED Chip Drive Current [mA]	Rated Lumens [Lm]	Rated Watts [W]
GTSOL5498 x 1	HI	700	9447	95
GTSOL5498 x 1	MH	525	8999	85
GTSOL5498 x 1	ML	350	7814	75
GTSOLM21 x 1	HI	700	5910	60
GTSOLM21 x 1	MH	600	4594	50
GTSOLM21 x 1	ML	500	3742	40
GTSOLM21 x 1	LO	400	2679	30

Accessories

Catalog #	Description
VNPM	Pendant Mount, Includes Junction Box, Slide Plate, Locknut, & Hardware. CSA Listed for Damp Location Mounting.
VNQM	Hinged Quick-Mount Bracket, Stamped Steel, Mount Over Recessed Electrical Box, or Use 3/4" NPS Downrod for Pendant Mounting. CSA Listed for Damp Location Mounting.
3EB120277	Battery Backup Pack, 120-277V
IP67	IP67 Rated LED Engine
GT-LSP-120	Surge Protector. 120 V 10 kA Parallel. 20kA maximum discharge current.
GT-LSP-240	Surge Protector. 240 V 10 kA Parallel. 20kA maximum discharge current.
GT-LSP-277	Surge Protector. 277 V 10 kA Parallel. 20kA maximum discharge current.
GT-LSP-347	Surge Protector. 347 V 10 kA Parallel. 20kA maximum discharge current.
GT-LSP-480	Surge Protector. 480 V 10 kA Parallel. 20kA maximum discharge current.

Description:

Heavy-duty round die cast aluminum garage lighter with powder coat finish, two-piece aluminum reflector, and clear polycarbonate prismatic optical housing with hinged gasket & drop lens. Upper section of reflector can be removed to create up light; lower section can also be removed. Includes Easy-Hang mounting bracket!

Specification Features:

- CSA listed for wet locations.
- Custom colors available upon request.
- Specifications subject to change without notice.

Input Voltage:

120-277VAC driver input.

347-480VAC driver available.

Without driver modules runs on 24VDC.

Additional Details:

Housing:

Heavy Duty Round Die Cast Aluminum Housing, Powdercoat Finish Over a Chromate Conversion Coating

Lens:

Clear Polycarbonate Prismatic Optical Refractor with Gasket & Hinged Drop Lens for Easy Relamping

Mounting:

Easy-Hang Bracket Fits Standard 4 Electrical Box, Allowing One Person Installation. Pendant Mount or Quick Mount Also Available.

Listing & Ratings:

CSA: Listed for Damp Locations, Ceiling Mount Add: Battery Backup Available (Sold Separately)

Additional Information:

Operating Temperature Range:
-40°C to 55°C Nominal

Photometrics:
.ies files available

Optics offered for different distributions.
(Dist. = 120° w/o secondary optics)

Surge Protector:
- Required for ALL 347V-480V applications in order to qualify for Warranty
- Recommended for all outdoor applications

L70 > 150,000Hrs.

Life Sync adjusts module to operate at max performance in any given environment

Warranty: Driver = 5 years
Solstice Light Engine = 10 years
Fixture = 10 years



Fully Compliant with ARRA Buy American Requirements. Made in the USA.



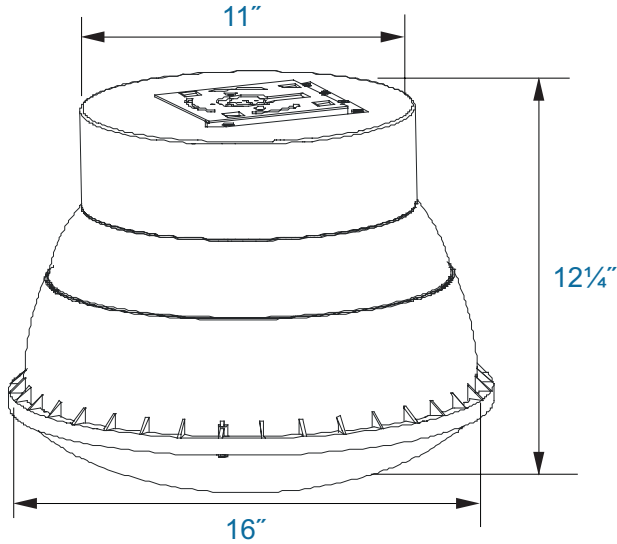
Pricing Information

SR16-6R1

GTL-PG-VNGL30

[30W-95W LED Surface Mount Fixture]

Details



Features



- Life Sync
- Module Temp Protection
- Lumen Depreciation Maintenance
- Wattage Selections (on board)
- On Board Programming
 - 5-6-1 Energy Saving Program
 - 0-10V Dimming
- Lumiled Luxeon LED chips
- Active Thermal Management
- Optical Distribution Options
- -40°C to 55°C Nominal Operating Temperature
- 10 Year Warranty

Ordering Code Example:

GTL-PG-VNGL30 - M21 - HI - SV - OR - 360D / IP67

Fixture	Module	Wattage	Voltage		CCT	Lens	Accs	
GTL-PG-VNGL30	5498	HI (95W)	SV (120V-277V)		GR (5000K) [70CRI]	NL = No Lens	VNPM	
			HV (347V-480V)		BR (5000K) [80CRI]	10D = 10D Lens	VNQM	
5498	MH (85W)	SV (120V-277V)		YW (4100K) [70CRI]	25D = 25D Lens	3EB120277		
		HV (347V-480V)		BL (4000K) [80CRI]	50D = 50D Lens	IP67 = M21*		
5498	ML (75W)	SV (120V-277V)		RD (3500K) [80CRI]	75D = 75D Lens	IP67 = 5498*		
		HV (347V-480V)		PR (3000K) [95CRI]	360D = 360D Lens	GT-LSP-120		
M21	HI (60W)	SV (120V-277V)		OR (2700K) [80CRI]	360s = 360 Square Lens	GT-LSP-240		
		HV (347V-480V)		GRO (Grow)†	T2 = Type II Lens	GT-LSP-277		
M21	MH (50W)	SV (120V-277V)		AMB (Amber)†	T3 = Type III Lens	GT-LSP-347		
		HV (347V-480V)		AQU (Aquarium)†		GT-LSP-480		
M21	ML (40W)	SV (120V-277V)		RYB (Royal Blue)†				
		HV (347V-480V)						
M21	LO (30W)	SV (120V-277V)						
		HV (347V-480V)						

* IP67 upgrade for module + fan (only NL, 10D, 25D, 50D & 75D)

† Upcharges not included in MSRP Price

Please see previous page for accessory information

Please note, prices may change with quantity

Fully Compliant with ARRA Buy American Requirements. Made in the USA.