

GTL-PG-VN41-ECO

[30W-40W LED Surface Mount Fixture - ECO]


Description:

Large die cast aluminum vandal resistant fixture with powder coat finish, White powder coat steel reflector, and clear prismatic polycarbonate lens. Can be used with our Quick-Mount bracket!

Specification Features:

- Includes 1 unit stamped mounting plate.
- CSA listed for wet locations.
- Precision LED setup available for maximum photometric efficiency and optimum light distribution.
- Vandal Resistant Fixture.
- LED wattages from 30 - 40 Watts.
- Custom colors available upon request.
- Specifications subject to change without notice.

Input Voltage:

120-277VAC driver input.
 347-480VAC driver available.
 Without driver engines runs on 24VDC.

LED Module Compatibility

Product	Output Setting	LED Chip Drive Current [mA]	Rated Lu-mens [Lm]	Rated Watts [W]
GTSOLM21-ECO x 1	ML	500	3742	40
GTSOLM21-ECO x 1	LO	400	2679	30

Additional Information:

Operating Temperature Range:
 -40°C to 55°C Nominal

Photometrics:
 .ies files available

Optics offered for different distributions.
 (Dist. = 120° w/o secondary optics)

Surge Protector:
 - Required for ALL 347V-480V applications in order to qualify for Warranty
 - Recommended for all outdoor applications

L70 > 150,000Hrs.

Life Sync adjusts module to operate at max performance in any given environment

Warranty: Driver = 5 years
 Solstice Light Engine = 5 years
 Fixture = 10 years

Accessories

Catalog #	Description
VN40PC4	Clear Prismatic Polycarbonate Lens with Four (4) Screw Holes.
VNQM	Hinged Quick-Mount Bracket, Stamped Steel, Mount Over Recessed Electrical Box, or Use 3/4" NPS Downrod for Pendant Mounting. CSA Listed for Damp Location Mounting.
3EB120277	Battery Backup Pack, 120-277V
GT-LSP-120	Surge Protector. 120 V 10 kA Parallel. 20kA maximum discharge current.
GT-LSP-240	Surge Protector. 240 V 10 kA Parallel. 20kA maximum discharge current.
GT-LSP-277	Surge Protector. 277 V 10 kA Parallel. 20kA maximum discharge current.
GT-LSP-347	Surge Protector. 347 V 10 kA Parallel. 20kA maximum discharge current.
GT-LSP-480	Surge Protector. 480 V 10 kA Parallel. 20kA maximum discharge current.



Fully Compliant with ARRA Buy American Requirements. Made in the USA.



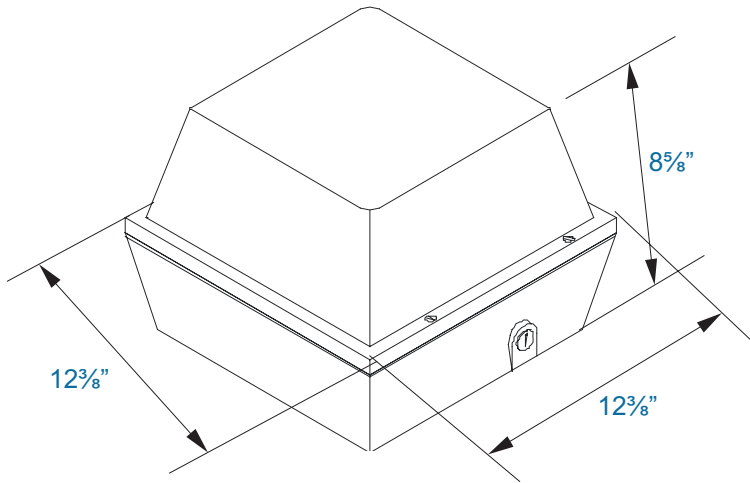
Pricing Information

SR16-6R1

GTL-PG-VN41-ECO

[30W-40W LED Surface Mount Fixture - ECO]

Details



Features



- Life Sync
 - Module Temp Protection
 - Lumen Depreciation Maintenance
- Wattage Selections (on board)
- On Board Programming
 - 5-6-1 Energy Saving Program
 - 0-10V Dimming
- Lumiled Luxeon LED chips
- Optical Distribution Options
- -40°C to 55°C Nominal Operating Temperature
- 5 Year Warranty

Ordering Code Example:

GTL-PG-VN41 - M21-ECO - ML - SV - PR - 360s / GT-LSP-120

Fixture	Module	Wattage	Voltage		CCT	Lens	Accs	
GTL-PG-VN41	M21-ECO	ML (40W)	SV (120V-277V)		GR (5000K) [70CRI]	NL = No Lens	VN40PC4	
			HV (347V-480V)		BR (5000K) [80CRI]	10D = 10D Lens	VNQM	
	M21-ECO	LO (30W)	SV (120V-277V)		YW (4100K) [70CRI]	25D = 25D Lens	3EB120277	
			HV (347V-480V)		BL (4000K) [80CRI]	50D = 50D Lens	GT-LSP-120	
					RD (3500K) [80CRI]	75D = 75D Lens	GT-LSP-240	
					PR (3000K) [95CRI]	360D = 360D Lens	GT-LSP-277	
					OR (2700K) [80CRI]	360s = 360 Square Lens	GT-LSP-347	
						T2 = Type II Lens	GT-LSP-480	
						T3 = Type III Lens		

Please see previous page for accessory information

Please note, prices may change with quantity

Fully Compliant with ARRA Buy American Requirements. Made in the USA.