

## Uplight-PRO

[400W-2080W LED Indirect Lighting Fixture]



### Description and Application:

This indirect lighting fixture has been designed to provide a substantial amount of light in surrounding areas through the use of reflection. Minimizing glare and maximizing light distribution, the Uplight Pro is optimized for Air Dome and Butler building installations. Available in any RAL# color. For RAL#'s visit [www.RALcolor.com](http://www.RALcolor.com)

### Key Features:

- Life Sync Smart Technology - Over temperature protection and lumen depreciation maintenance
- Soft start
- 0-10VDC Input Port.
- Reduced glare through indirect lighting
- Available in direct lighting configuration

### Driver:

50/60Hz  
Input voltage 120-277VAC

### Additional Information:

Operating Temperature Range:  
-40°C to 55°C Nominal

Life Sync adjusts module to operate at max performance in any given environment

Optics offered for different distributions.  
(Dist. = 120° w/o secondary optics)

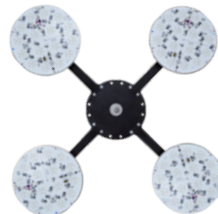
Photometrics:  
.ies files available

L70 > 150,000Hrs.

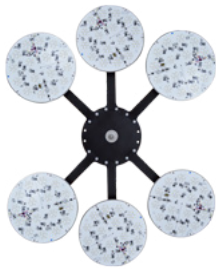
Warranty: Driver = 5 years  
Solstice Light Engine = 10 years  
Fixture = 10 years



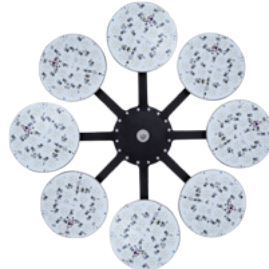
GTL-UPLIGHT-PRO-2x112



GTL-UPLIGHT-PRO-4x112



GTL-UPLIGHT-PRO-6x112



GTL-UPLIGHT-PRO-8x112

### Accessories

Catalog #	Description
<b>IP67</b>	IP67 Rated LED Engine
<b>GT-LSP-120</b>	Surge Protector. 120 V 10 kA Parallel. 20kA maximum discharge current.
<b>GT-LSP-240</b>	Surge Protector. 240 V 10 kA Parallel. 20kA maximum discharge current.
<b>GT-LSP-277</b>	Surge Protector. 277 V 10 kA Parallel. 20kA maximum discharge current.
<b>GT-LSP-347</b>	Surge Protector. 347 V 10 kA Parallel. 20kA maximum discharge current.
<b>GT-LSP-480</b>	Surge Protector. 480 V 10 kA Parallel. 20kA maximum discharge current.

### Wattage Selections

Product	Rated Watts [W]	Rated Lumens [Lm]	Output Setting	Input Current [mA]
GTSOL112 x 8	<b>2080</b>	194320	MH	2120
GTSOL112 x 6	<b>1560</b>	145740	MH	2120
GTSOL112 x 4	<b>1040</b>	97160	MH	2120
GTSOL112 x 4	<b>800</b>	78280	ML	1670
GTSOL112 x 2	<b>520</b>	48580	MH	2120
GTSOL112 x 2	<b>400</b>	39140	ML	1670



Fully Compliant with ARRA Buy American Requirements. Made in the USA.

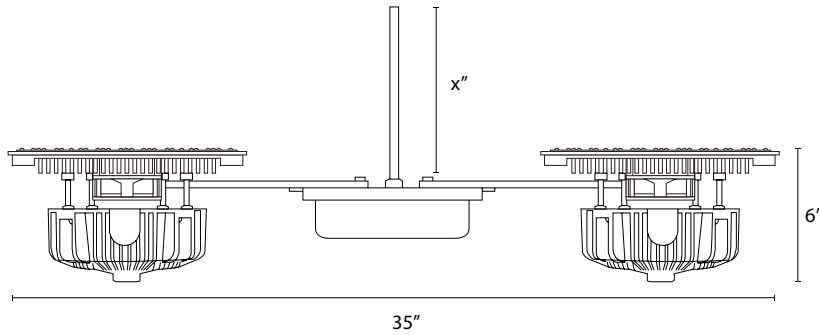


# Product Information

## Uplight-PRO

[400W-2080W LED Indirect Lighting Fixture]

### Details



### Features



- Life Sync
  - Module Temp Protection
  - Lumen Depreciation Maintenance
- Wattage Selections (on board)
- On Board Programming
  - 5-6-1 Energy Saving Program
  - 0-10V Dimming
- Lumiled Luxeon LED chips
- Active Thermal Management
- Optical Distribution Options
- -40°C to 55°C Nominal Operating Temperature
- 10 Year Warranty

### Ordering Code Example:

GTL-AR-UPLIGHT-PRO - 2x112 - MH - SV - BR - NL / GT-LSP-120

Fixture	Module	Wattage	Voltage		CCT	Lens	Accs		
GTL-AR-UPLIGHT-PRO	8x112	MH (2080W)	SV (120V-277V)		BR (5000K) [80CRI]	NL = No Lens	IP67* = 2x112		
					BL (4000K) [80CRI]	10D = 10D Lens	GT-LSP-120		
	6x112	MH (1560W)	SV (120V-277V)		OR (2700K) [80CRI]	25D = 25D Lens	GT-LSP-240		
						50D = 50D Lens	GT-LSP-277		
	4x112	MH (1040W)	SV (120V-277V)			75D = 75D Lens			
						360D = 360D Lens			
	4x112	ML (800W)	SV (120V-277V)			360s = 360 Square Lens			
						T2 = Type II Lens			
2x112	MH (520W)	SV (120V-277V)			T3 = Type III Lens				
2x112	ML (400W)	SV (120V-277V)							

\* IP67 upgrade for module + fan

Please see previous page for accessory information

**Fully Compliant with ARRA Buy American Requirements. Made in the USA.**