

# TITAN-SP

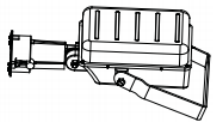
[200W-900W LED Sports Lighter Fixture]



3x112 Model



2x112 Model



SP50HY (Shown Mounted)



SP50PT

Accessories



3x Driver Housing  
(Shown Mounted without powder coating)

### Description and Application:

Made in the USA, the Titan-SP Sports lighter fixture is among the lowest cost, most energy efficient, and longest life LED sports lighters in the world. With its unique modular design, it has the ability to produce 19,570Lm to 85,830Lm. Available in architectural bronze finish and additional options upon request.

### Key Features:

- Life Sync Patented Smart Technology and module protection
- Soft start
- 0-10VDC Dimming Capable.
- IP67 Rated Modules
- Weight: 67 lbs.
- EPA: 2.2

### Input Voltage:

50/60Hz  
Input 120-277VAC; 347-480VAC

### Additional Information:

Operating Temperature Range:  
-40°C to 55°C Nominal

Photometrics:  
.ies files available

Optics offered for different distributions.  
(Dist. = 120° w/o secondary optics)

Surge Protector:  
- Required for ALL 347V-480V applications in order to qualify for Warranty  
- Recommended for all outdoor applications

L70 > 150,000Hrs.

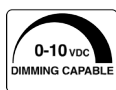
Life Sync adjusts module to operate at max performance in any given environment

Warranty: Driver = 5 years  
Solstice Light Engine = 10 years  
Fixture = 10 years

### Wattage Selections:

Product	Output Setting	Rated Lumens [Lm]	Rated Watts [W]
GTSOL112 x 3	HI	85830	900
GTSOL112 x 3	MH	72870	780
GTSOL112 x 3	ML	58710	600
GTSOL112 x 2	HO	67460	720
GTSOL112 x 2	HI	57220	600
GTSOL112 x 2	MH	48580	520
GTSOL112 x 2	ML	39140	400
GTSOL112 x 1	HO	33730	360
GTSOL112 x 1	HI	28610	300
GTSOL112 x 1	MH	24290	260
GTSOL112 x 1	ML	19570	200

Catalog #	Description
SP50HY	SP50 Handle Yoke Kit and Hardware
SP50PT	SP50 Pole Mount Kit and Hardware
GT-LSP-120	Surge Protector. 120 V 10 kA Parallel. 20kA maximum discharge current.
GT-LSP-240	Surge Protector. 240 V 10 kA Parallel. 20kA maximum discharge current.
GT-LSP-277	Surge Protector. 277 V 10 kA Parallel. 20kA maximum discharge current.
GT-LSP-347	Surge Protector. 347 V 10 kA Parallel. 20kA maximum discharge current.
GT-LSP-480	Surge Protector. 480 V 10 kA Parallel. 20kA maximum discharge current.
RMB	Remote Mounted Ballasts
GTP-SHROUD-112	Glare Shield (Please specify quantity when ordering)



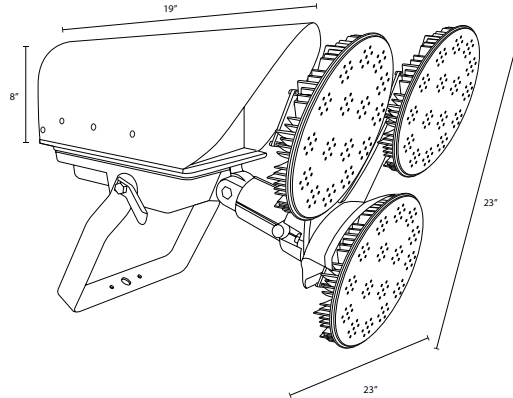


# TITAN-SP

[200W-900W LED Sports Lighter Fixture]

SR17-1R1

## Details



## Features

- Life Sync
- Module Temp Protection
- Lumen Depreciation Maintenance
- Wattage Selections (on board)
- On Board Programming
  - 5-6-1 Energy Saving Program
  - 0-10V Dimming
- Lumiled Luxeon LED chips
- Active Thermal Management
- Optical Distribution Options
- -40°C to 55°C Nominal Operating Temperature
- 10 Year Warranty



Ordering Code Example:

GTL-AR-TITAN-SP - 3x112 - HI - SV - BR - NL / IP67 - (3)GTP-SHROUD-112

Fixture	Module	Wattage	Voltage	MSRP	CCT	Lens	Accs	MSRP
GTL-AR-TITAN-SP	3x112	HI (900W)	SV (120V-277V)		BR (5000K) [80CRI]	NL = No Lens	SP50HY	
			HV (347V-480V)		BL (4000K) [80CRI]	10D = 10D Lens	SP50PT	
	3x112	MH (780W)	SV (120V-277V)		OR (2700K) [80CRI]	25D = 25D Lens	GT-LSP-120	
			HV (347V-480V)			50D = 50D Lens	GT-LSP-240	
	2x112	HO (720W)	SV (120V-277V)			75D = 75D Lens	GT-LSP-277	
			HV (347V-480V)			360D = 360D Lens (No IP)	GT-LSP-347	
	2x112	HI (600W)	SV (120V-277V)			360s = 360 Square Lens (No IP)	GT-LSP-480	
			HV (347V-480V)			T2 = Type II Lens (No IP)	RMB	
	2x112	MH (520W)	SV (120V-277V)			T3 = Type III Lens (No IP)	GTP-SHROUD-112	
			HV (347V-480V)				IP67* = 1x112	
	112	HO (360W)	SV (120V-277V)					
			HV (347V-480V)					
	112	HI (300W)	SV (120V-277V)					
			HV (347V-480V)					
	112	MH (260W)	SV (120V-277V)					
			HV (347V-480V)					
	112	ML (200W)	SV (120V-277V)					
			HV (347V-480V)					

\* IP67 upgrade for module + fan (only NL, 10D, 25D, 50D & 75D)  
 \*\* 112 Module only offered in GR, BL, & OR CCT's

Please see previous page for accessory information  
 Please note, prices may change with quantity