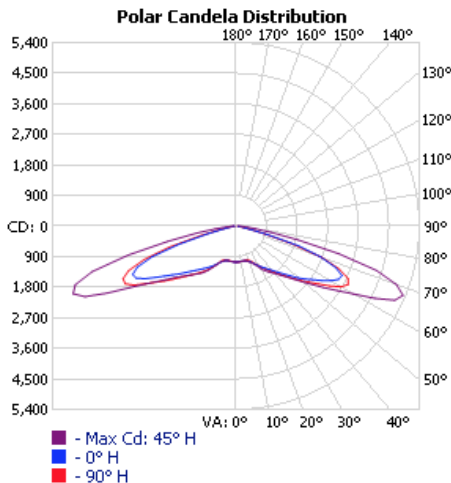


TITAN-HM

[200W-600W High Mast Luminaire]



Module	Setting	Rated Lumens [Lm]	Rated Watts [W]
GTSOL112 x 1	HO	43,200	360
GTSOL112 x 2	ML	48,000	400
GTSOL112 x 2	MH	62,400	520
GTSOL112 x 2	HI	72,000	600

Description and Application:

Perfect for 80-ft and 120-ft high-mast applications on Roadways, Airports, Rail Yards and Container Terminals; comparable to legacy 1000W -2000W HID technology.

Specification Features:

- FDOT Approved
- High Power LED 600W
- Custom Optics to meet any distribution requirement
- Titan LED Module specifications available on website
- EPA: 1.45
- Weight: 40 lbs.
- 600W

Input Voltage Options:

- 120-277VAC
- 347-480 VAC

Additional Information:

- Operating Ambient Temperature Range: -40°C to 55°C Nominal
- Photometrics: .ies files available online
- 5 Distribution options
- L70 > 150,000Hrs.
- Life Sync adjusts module to operate at max performance in any given environment
- Surge Protector:
 - Required for ALL 347V-480VAC applications in order to qualify for Warranty
 - Recommended for all outdoor applications
- Warranty: Driver = 5 years
Solstice Light Engine = 10 years
Fixture = 10 years

Accessories

Catalog #	Description
GT-LSP-120	Surge Protector. 120 V 10 kA Parallel. 20kA maximum discharge current.
GT-LSP-240	Surge Protector. 240 V 10 kA Parallel. 20kA maximum discharge current.
GT-LSP-277	Surge Protector. 277 V 10 kA Parallel. 20kA maximum discharge current.
GT-LSP-347	Surge Protector. 347 V 10 kA Parallel. 20kA maximum discharge current.
GT-LSP-480	Surge Protector. 480 V 10 kA Parallel. 20kA maximum discharge current.





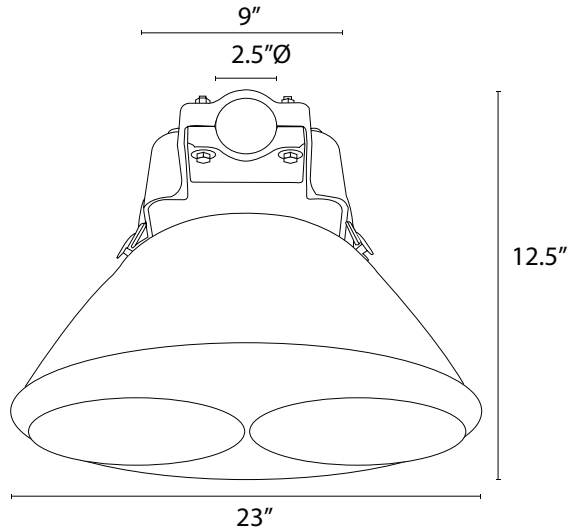
Pricing Information

SR17-2

TITAN-HM

[200W-600W High Mast Luminaire]

Details



Features



- Life Sync
- Module Temp Protection
- Lumen Depreciation Maintenance
- Wattage Selections (on board)
- On Board Programming
- 5-6-1 Energy Saving Program
- 0-10V Dimming
- Lumiled Luxeon LED chips
- Active Thermal Management
- Optical Distribution Options
- -40°C to 55°C Nominal Operating Temperature
- 10 Year Warranty

Ordering Code Example:

GTL-AR-TITAN-HM - 2x112 - HI - SV - GR - NL / xxxxx

Fixture	Module	Wattage	Voltage	MSRP		CCT	Lens	Accs	MSRP	
GTL-AR-TITAN-HM	2x112	HI (600W)	SV (120V-277V)			BR (5000K) [80CRI]	NL = No Lens	GT-LSP-120		
			HV (347V-480V)			BL (4000K) [80CRI]	10D = 10D Lens	GT-LSP-240		
	2x112	MH (520W)	SV (120V-277V)			OR (2700K) [80CRI]	25D = 25D Lens	GT-LSP-277		
			HV (347V-480V)			50D = 50D Lens	GT-LSP-347			
	2x112	ML (400W)	SV (120V-277V)				75D = 75D Lens	GT-LSP-480		
			HV (347V-480V)			360D = 360D Lens				
	112	HO (360W)	SV (120V-277V)				360s = 360 Square Lens			
			HV (347V-480V)			T2 = Type II Lens				
	112	HI (300W)	SV (120V-277V)				T3 = Type III Lens			
			HV (347V-480V)							
	112	MH (260W)	SV (120V-277V)							
			HV (347V-480V)							
	112	ML (200W)	SV (120V-277V)							
			HV (347V-480V)							

* IP67 upgrade for module + fan (only NL, 10D, 25D, 50D & 75D)

Please see previous page for accessory information