

GTL-SP-50AR26

[75W-720W LED Sports Lighter Fixture]



Description and Application:

Global Tech LED's 26" Sports Lighter fixture illuminates the night using the new Solstice Titan Module, or a combination of Solstices.

Additional options for wattages include up to 675W using Solstices.

(ask about additional wattage/pricing options)

Key Features:

- Patented Life Sync Technology - Lumen depreciation maintenance, over temperature protection
- Soft start
- 0-10VDC Dimming compatible
- 0-10VDC Input Port.

Driver:

50/60Hz
Input voltage 120-277VAC
347-480VAC
24VDC operation without driver.

Additional Information:

Operating Temperature Range: environment
-40°C to 55°C Nominal Photometrics:
.ies files available

Optics offered for different distributions. (Dist. = 120° w/o secondary optics)

L70 > 150,000Hrs.

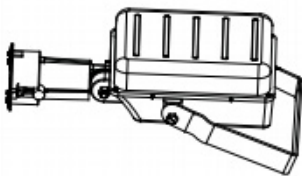
Life Sync adjusts module to operate at max performance in any given

Surge Protector:
- Required for ALL 347V-480V applications in order to qualify for Warranty
- Recommended for all outdoor applications

Warranty: Driver = 5 years
Solstice Light Engine = 10 years
Fixture = 10 years

Accessories

Catalog #	Description
SP50AR19GS	Glare Shield for 19" Reflector; Mounting Hardware (Included)
SP50AR3GS	Glare Shield for Type 3 Reflector; Mounting Hardware (Included)
SP50AR456GS	Glare Shield for Type 4-5 & 6 Reflector; Mounting Hardware (Included)
SP50AR19LB	Internal Lamp Brace for 19" Reflector
SPCB19	Clampband for 19" Reflector
SP50HY	SP50 Handle Yoke Kit and Hardware
SP50PT	SP50 Pole Mount Kit and Hardware
IP67	IP67 Rated LED Engine
GT-LSP-120	Surge Protector. 120 V 10 kA Parallel. 20kA maximum discharge current.
GT-LSP-240	Surge Protector. 240 V 10 kA Parallel. 20kA maximum discharge current.
GT-LSP-277	Surge Protector. 277 V 10 kA Parallel. 20kA maximum discharge current.
GT-LSP-347	Surge Protector. 347 V 10 kA Parallel. 20kA maximum discharge current.
GT-LSP-480	Surge Protector. 480 V 10 kA Parallel. 20kA maximum discharge current.



SP50HY (Shown Mounted)



SP50PT

LED Module Compatibility

Product	Output Setting	LED Chip Drive Current [mA]	Rated Lumens [Lm]	Rated Watts [W]
GTSOL112 x 1	HO	2983	33260	360
GTSOL112 x 1	HI	2321	28610	300
GTSOL112 x 1	MH	2120	24290	260
GTSOL112 x 1	ML	1670	19570	200
GTSOL5498 x 5	HO	900	65820	675
GTSOL5498 x 5	HI	700	47235	475
GTSOL5498 x 5	MH	525	44995	425
GTSOL5498 x 5	ML	350	39070	375
GTSOL5498 x 4	HO	900	52656	540
GTSOL5498 x 4	HI	700	37788	380
GTSOL5498 x 4	MH	525	35996	340
GTSOL5498 x 4	ML	350	31256	300
GTSOL5498 x 3	HO	900	39492	405
GTSOL5498 x 3	HI	700	28341	285
GTSOL5498 x 3	MH	525	26997	255
GTSOL5498 x 3	ML	350	23442	225
GTSOL5498 x 2	HO	900	26328	270
GTSOL5498 x 2	HI	700	18894	190
GTSOL5498 x 2	MH	525	17998	170
GTSOL5498 x 2	ML	350	15628	150
GTSOL5498 x 1	HO	900	13164	135
GTSOL5498 x 1	HI	700	9447	95
GTSOL5498 x 1	MH	525	8999	85
GTSOL5498 x 1	ML	350	7814	75



fully compliant with ARRA Buy American Requirements. Made in the USA.



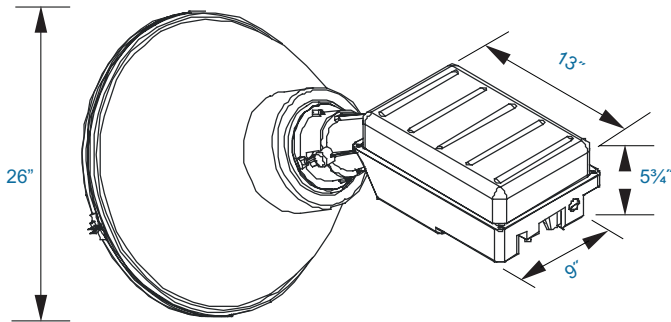
Product Information

GTL-SP-50AR26

[75W-720W LED Sports Lighter Fixture]

SR16-6R1

Details



Features

- Life Sync
- Module Temp Protection
- Lumen Depreciation Maintenance
- Wattage Selections (on board)
- On Board Programming
- 5-6-1 Energy Saving Program
- 0-10V Dimming
- Lumiled Luxeon LED chips
- Active Thermal Management
- Optical Distribution Options
- -40°C to 55°C Nominal Operating Temperature
- 10 Year Warranty



Ordering Code Example:

GTL-AR-SP50AR26 - 112 - HO - SV - GR - NL / GT-LSP-120 - IP67

Fixture	Module	Wattage	Voltage		CCT	Lens	Accs	
GTL-AR-SP50AR26	112**	HO (360W)	SV (120V-277V)		GR (5000K) [70CRI]	NL = No Lens	SP50AR19GS	
			HV (347V-480V)		BR (5000K) [80CRI]	10D = 10D Lens	SP50AR3GS	
	112**	HI (300W)	SV (120V-277V)		YW (4100K) [70CRI]	25D = 25D Lens	SP50AR456GS	
			HV (347V-480V)		BL (4000K) [80CRI]	50D = 50D Lens	SP50AR19LB	
	112**	MH (260W)	SV (120V-277V)		RD (3500K) [80CRI]	75D = 75D Lens	SPCB19	
			HV (347V-480V)		PR (3000K) [95CRI]	360D = 360D Lens	SP50HY	
	112**	ML (200W)	SV (120V-277V)		OR (2700K) [80CRI]	360s = 360 Square Lens	SP50PT	
			HV (347V-480V)		GRO (Grow)†	T2 = Type II Lens	IP67 = 3x5498*	
	4x5498	HO (540W)	SV (120V-277V)		AMB (Amber)†	T3 = Type III Lens	IP67 = 4x5498*	
			HV (347V-480V)		AQU (Aquarium)†		IP67 = 112*	
	3x5498	HO (405W)	SV (120V-277V)		RYB (Royal Blue)†		IP67 = 2x112*	
			HV (347V-480V)				GT-LSP-120	
	3x5498	HI (285W)	SV (120V-277V)				GT-LSP-240	
			HV (347V-480V)				GT-LSP-277	
							GT-LSP-347	
							GT-LSP-480	

[Modules exposed to the elements without IP67 accessory will void the warranty]

* IP67 upgrade for module + fan (only NL, 10D, 25D, 50D & 75D)

** 112 Module only offered in BR, BL & OR CCT's

† Upcharges not included in MSRP Price

Please see previous page for accessory information
Please note, prices may change with quantity

Fully Compliant with ARRA Buy American Requirements. Made in the USA.