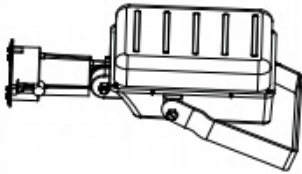


GTL-SP-50AR19 [75W-540W LED Sports Lighter Fixture]



SP50HY (Shown Mounted)



SP50PT

LED Module Compatibility

Product	Output Setting	LED Chip Drive Current [mA]	Rated Lumens [Lm]	Rated Watts [W]
GTSOL5498 x 4	HO	900	52656	540
GTSOL5498 x 4	HI	700	37788	380
GTSOL5498 x 4	MH	525	35996	340
GTSOL5498 x 4	ML	350	31256	300
GTSOL5498 x 3	HO	900	39492	405
GTSOL5498 x 3	HI	700	28341	285
GTSOL5498 x 3	MH	525	26997	255
GTSOL5498 x 3	ML	350	23442	225
GTSOL5498 x 2	HO	900	26328	270
GTSOL5498 x 2	HI	700	18894	190
GTSOL5498 x 2	MH	525	17998	170
GTSOL5498 x 2	ML	350	15628	150
GTSOL5498 x 1	HO	900	13164	135
GTSOL5498 x 1	HI	700	9447	95
GTSOL5498 x 1	MH	525	8999	85
GTSOL5498 x 1	ML	350	7814	75

Description and Application:

Global Tech LED's 19" Sports Lighter fixture illuminates the night using the new Solstice Titan Module, or a combination of Solstices.

Additional options for wattages include up to 540W using Solstices.
(ask about additional wattage/pricing options)

Key Features:

- Patented Life Sync Technology - Lumen depreciation maintenance, over temperature protection
- Soft start
- 0-10VDC Dimming compatible
- 0-10VDC Input Port.

Input Voltage:

50/60Hz
Input voltage 120-277VAC
347-480VAC
24VDC operation without driver.

Additional Information:

Operating Temperature Range:
-40°C to 55°C Nominal

Photometrics:
.ies files available

Optics offered for different distributions.
(Dist. = 120° w/o secondary optics)

Surge Protector:
- Required for ALL 347V-480V applications in order to qualify for Warranty
- Recommended for all outdoor applications

L70 > 150,000Hrs.

Life Sync adjusts module to operate at max performance in any given environment

Warranty: Driver = 5 years
Solstice Light Engine = 10 years
Fixture = 10 years

Accessories

Catalog #	Description
IP67	IP67 Rated LED Engine
GT-LSP-120	Surge Protector. 120 V 10 kA Parallel. 20kA maximum discharge current.
GT-LSP-240	Surge Protector. 240 V 10 kA Parallel. 20kA maximum discharge current.
GT-LSP-277	Surge Protector. 277 V 10 kA Parallel. 20kA maximum discharge current.
GT-LSP-347	Surge Protector. 347 V 10 kA Parallel. 20kA maximum discharge current.
GT-LSP-480	Surge Protector. 480 V 10 kA Parallel. 20kA maximum discharge current.

Accessories (CONT.)

Catalog #	Description
SP50AR19GS	Glare Shield for 19" Reflector; Mounting Hardware (Included)
SP50AR3GS	Glare Shield for Type 3 Reflector; Mounting Hardware (Included)
SP50AR456GS	Glare Shield for Type 4-5 & 6 Reflector; Mounting Hardware (Included)
SP50AR19LB	Internal Lamp Brace for 19" Reflector
SPCB19	Clampband for 19" Reflector
SPGL19	Flat Glass & Gasket for 19" Reflector
SP50AR2GLCB	Clampband with Tempered Flat Glass Lens & Gasket for SP50AR2 Reflector
SPGLCB22	Clampband with Tempered Flat Glass Lens & Gasket for Type SP50AR45 & SP50AR6 Reflector
SPGLCB23	Clampband with Tempered Flat Glass Lens & Gasket for SP50AR3 Reflector
SP50HY	SP50 Handle Yoke Kit and Hardware
SP50PT	SP50 Pole Mount Kit and Hardware



Fully Compliant with ARRA Buy American Requirements. Made in the USA.



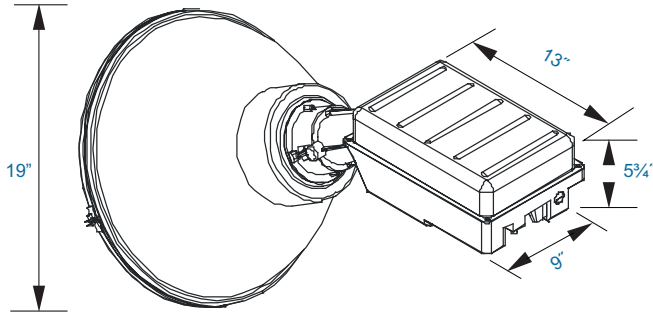
Pricing Information

SR16-6R1

GTL-SP-50AR19

[75W-540W LED Sports Lighter Fixture]

Details



Features



- Life Sync
- Module Temp Protection
- Lumen Depreciation Maintenance
- Wattage Selections (on board)
- On Board Programming
- 5-6-1 Energy Saving Program
- 0-10V Dimming
- Lumiled Luxeon LED chips
- Active Thermal Management
- Optical Distribution Options
- -40°C to 55°C Nominal Operating Temperature
- 10 Year Warranty

Ordering Code Example:

GTL-AR-SP50AR19 - 112 - HO - SV - GR - NL / GT-LSP-120

Fixture	Module	Wattage	Voltage		CCT	Lens	Accs	
GTL-AR-SP50AR19	4x5498	HO (540W)	SV (120V-277V)		GR (5000K) [70CRI]	NL = No Lens	SP50AR19GS	
			HV (347V-480V)		BR (5000K) [80CRI]	10D = 10D Lens	SP50AR3GS	
	3x5498	HO (405W)	SV (120V-277V)		YW (4100K) [70CRI]	25D = 25D Lens	SP50AR456GS	
			HV (347V-480V)		BL (4000K) [80CRI]	50D = 50D Lens	SP50AR19LB	
	3x5498	HI (285W)	SV (120V-277V)		RD (3500K) [80CRI]	75D = 75D Lens	SPCB19	
			HV (347V-480V)		PR (3000K) [95CRI]	360D = 360D Lens	SP50AR2GLCB	
	2x5498	HO (270W)	SV (120V-277V)		OR (2700K) [80CRI]	360s = 360 Square Lens	SPGLCB22	
			HV (347V-480V)		GRO (Grow)†	T2 = Type II Lens	SPGLCB23	
	2x5498	HI (180W)	SV (120V-277V)		AMB (Amber)†	T3 = Type III Lens	SP50HY	
			HV (347V-480V)		AQU (Aquarium)†		SP50PT	
	2x5498	MH (170W)	SV (120V-277V)		RYB (Royal Blue)†		IP67 = M21*	
			HV (347V-480V)				IP67 = 5498*	
	2x5498	ML (150W)	SV (120V-277V)				IP67 = 112*	
			HV (347V-480V)				GT-LSP-120	
	5498	HO (135W)	SV (120V-277V)				GT-LSP-240	
			HV (347V-480V)				GT-LSP-277	
	5498	HI (95W)	SV (120V-277V)				GT-LSP-347	
			HV (347V-480V)				GT-LSP-480	
	5498	MH (85W)	SV (120V-277V)					
			HV (347V-480V)					
	5498	ML (75W)	SV (120V-277V)					
			HV (347V-480V)					

[Modules exposed to the elements without IP67 accessory will void the warranty]

[Glass Lens options are not available in combination with the following Module options: 2x5498 – 112]

* IP67 upgrade for module + fan (only NL, 10D, 25D, 50D & 75D)

** 112 Module only offered in BR, BL & OR CCT's

† Upcharges not included in MSRP Price

Please see previous page for accessory information

Please note, prices may change with quantity

Fully Compliant with ARRA Buy American Requirements. Made in the USA.