

GTL-WP-SM362

[30W-60W LED Area Light]


Description:

Ideal for building, back yards, parks, signs, sports field, parking lots and other general applications where floodlighting may come into use.

Specification Features:

- CSA listed for damp locations.
- Custom colors available upon request.
- Specifications subject to change without notice.

Input Voltage:

120-277VAC driver input.

347-480VAC driver available.

Without driver modules runs on 24VDC.

Housing:

- Heavy duty die-cast aluminum
- Heat and impact resistant tempered glass lens
- Dark architectural bronze color
- Powder coated finish on the heavy duty die cast housing
- Silicone rubber included to prevent any leakage from the outside

Additional Information:

Operating Temperature Range:
-40°C to 55°C Nominal

Photometrics:
.ies files available

Optics offered for different distributions.
(Dist. = 120° w/o secondary optics)

Surge Protector:
- Required for ALL 347V-480V applications in order to qualify for Warranty
- Recommended for all outdoor applications

L70 > 150,000Hrs.

Life Sync adjusts module to operate at max performance in any given environment

Warranty: Driver = 5 years
Solstice Light Engine = 10 years
Fixture = 10 years

LED Module Compatibility

Product	Output Setting	LED Chip Drive Current [mA]	Rated Lumens [Lm]	Rated Watts [W]
GTSOLM21 x 1	HI	700	5910	60
GTSOLM21 x 1	MH	600	4594	50
GTSOLM21 x 1	ML	500	3742	40
GTSOLM21 x 1	LO	400	2679	30

Accessories

Catalog #	Description
E-PHC-0305-GC	PHOTOCELL
IP67	IP67 Rated LED Engine
GT-LSP-120	Surge Protector. 120 V 10 kA Parallel. 20kA maximum discharge current.
GT-LSP-240	Surge Protector. 240 V 10 kA Parallel. 20kA maximum discharge current.
GT-LSP-277	Surge Protector. 277 V 10 kA Parallel. 20kA maximum discharge current.
GT-LSP-347	Surge Protector. 347 V 10 kA Parallel. 20kA maximum discharge current.
GT-LSP-480	Surge Protector. 480 V 10 kA Parallel. 20kA maximum discharge current.



Fully Compliant with ARRA Buy American Requirements. Made in the USA.

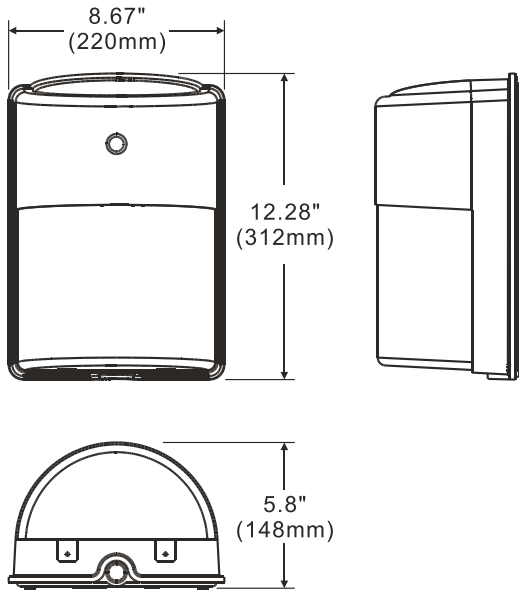


GTL-WP-SM362

[30W-60W LED Area Light]

SR16-6R1

Details



Features



- Life Sync
 - Module Temp Protection
 - Lumen Depreciation Maintenance
- Wattage Selections (on board)
- On Board Programming
 - 5-6-1 Energy Saving Program
 - 0-10V Dimming
- Lumiled Luxeon LED chips
- Active Thermal Management
- Optical Distribution Options
- -40°C to 55°C Nominal Operating Temperature
- 10 Year Warranty

Ordering Code Example:

GTL-WP-SM362 - M21 - HI - SV - YW - NL /-----

Fixture	Module	Wattage	Voltage		CCT	Lens	Accs	
GTL-WP-SM362	M21	LO (30W)	SV (120V-277V)		GR (5000K) [70CRI]	NL = No Lens	E-PHC-0305-GC	
			HV (347V-480V)		BR (5000K) [80CRI]	10D = 10D Lens	IP67 = M21*	
	M21	ML (40W)	SV (120V-277V)		YW (4100K) [70CRI]	25D = 25D Lens	IP67 = 5498*	
			HV (347V-480V)		BL (4000K) [80CRI]	50D = 50D Lens	GT-LSP-120	
	M21	MH (50W)	SV (120V-277V)		RD (3500K) [80CRI]	75D = 75D Lens	GT-LSP-240	
			HV (347V-480V)		PR (3000K) [95CRI]	360D = 360D Lens	GT-LSP-277	
	M21	HI (60W)	SV (120V-277V)		OR (2700K) [80CRI]	360s = 360 Square Lens	GT-LSP-347	
			HV (347V-480V)		GRO (Grow)†	T2 = Type II Lens	GT-LSP-480	
					AMB (Amber)†	T3 = Type III Lens		
					AQU (Aquarium)†			
					RYB (Royal Blue)†			

* IP67 upgrade for module + fan (only NL, 10D, 25D, 50D & 75D)

† Upcharges not included in MSRP Price

Please see previous page for accessory information

Please note, prices may change with quantity

Fully Compliant with ARRA Buy American Requirements. Made in the USA.