

# GTL-PG-SM021

[30W-95W LED Surface Mount Fixture]


**Description:**

Large die cast aluminum construction, Bronze powder coated finish with corrosion resistant hardware. Injection molded polycarbonate refractor.

**Specification Features:**

- Includes 1 unit stamped mounting plate.
- CSA listed for wet locations.
- Precision LED setup available for maximum photometric efficiency and optimum light distribution.
- Vandal Resistant Fixture.
- LED wattages from 30 - 135 Watts.
- Custom colors available upon request.
- Specifications subject to change without notice.

**Input Voltage:**

120-277VAC driver input.

347-480VAC driver available.

Without driver modules runs on 24VDC.

**Additional Information:**

Operating Temperature Range:  
-40°C to 55°C Nominal

Photometrics:  
.ies files available

Optics offered for different distributions.  
(Dist. = 120° w/o secondary optics)

Surge Protector:  
- Required for ALL 347V-480V applications in order to qualify for Warranty  
- Recommended for all outdoor applications

L70 > 150,000Hrs.

Life Sync adjusts module to operate at max performance in any given environment

Warranty: Driver = 5 years  
Solstice Light Engine = 10 years  
Fixture = 10 years

**LED Module Compatibility**

Product	Output Setting	LED Chip Drive Current [mA]	Rated Lumens [Lm]	Rated Watts [W]
GTSOL5498 x 1	HI	700	9447	95
GTSOL5498 x 1	MH	525	8999	85
GTSOL5498 x 1	ML	350	7814	75
GTSOLM21 x 1	HI	700	5910	60
GTSOLM21 x 1	MH	600	4594	50
GTSOLM21 x 1	ML	500	3742	40
GTSOLM21 x 1	LO	400	2679	30

**Accessories**

Catalog #	Description
E-PHC-0305-GC	PHOTOCELL
IP67	IP67 Rated LED Engine
GT-LSP-120	Surge Protector. 120 V 10 kA Parallel. 20kA maximum discharge current.
GT-LSP-240	Surge Protector. 240 V 10 kA Parallel. 20kA maximum discharge current.
GT-LSP-277	Surge Protector. 277 V 10 kA Parallel. 20kA maximum discharge current.
GT-LSP-347	Surge Protector. 347 V 10 kA Parallel. 20kA maximum discharge current.
GT-LSP-480	Surge Protector. 480 V 10 kA Parallel. 20kA maximum discharge current.



**Fully Compliant with ARRA Buy American Requirements. Made in the USA.**



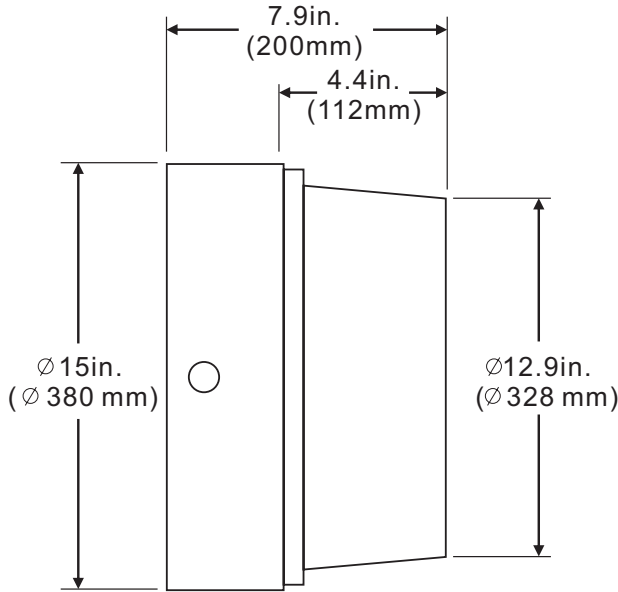
# Pricing Information

SR16-6R1

# GTL-PG-SM021

[30W-95W LED Surface Mount Fixture]

## Details



### Features



- Life Sync
- Module Temp Protection
- Lumen Depreciation Maintenance
- Wattage Selections (on board)
- On Board Programming
- 5-6-1 Energy Saving Program
- 0-10V Dimming
- Lumiled Luxeon LED chips
- Active Thermal Management
- Optical Distribution Options
- -40°C to 55°C Nominal Operating Temperature
- 10 Year Warranty

Ordering Code Example:

GTL-PG-SM021 - M21 - HI - SV - PR - 360s / IP67 - GT-LSP-120

Fixture	Module	Wattage	Voltage		CCT	Lens	Accs	
GTL-PG-SM021	5498	HI (95W)	SV (120V-277V)		GR (5000K) [70CRI]	NL = No Lens	E-PHC-0305-GC	
			HV (347V-480V)		BR (5000K) [80CRI]	10D = 10D Lens	IP67 = M21*	
	5498	MH (85W)	SV (120V-277V)		YW (4100K) [70CRI]	25D = 25D Lens	IP67 = 5498*	
			HV (347V-480V)		BL (4000K) [80CRI]	50D = 50D Lens	GT-LSP-120	
	5498	ML (75W)	SV (120V-277V)		RD (3500K) [80CRI]	75D = 75D Lens	GT-LSP-240	
			HV (347V-480V)		PR (3000K) [95CRI]	360D = 360D Lens	GT-LSP-277	
	M21	HI (60W)	SV (120V-277V)		OR (2700K) [80CRI]	360s = 360 Square Lens	GT-LSP-347	
			HV (347V-480V)		GRO (Grow)†	T2 = Type II Lens	GT-LSP-480	
	M21	MH (50W)	SV (120V-277V)		AMB (Amber)†	T3 = Type III Lens		
			HV (347V-480V)		AQU (Aquarium)†			
	M21	ML (40W)	SV (120V-277V)		RYB (Royal Blue)†			
			HV (347V-480V)					
M21	LO (30W)	SV (120V-277V)						
		HV (347V-480V)						

\* IP67 upgrade for module + fan (only NL, 10D, 25D, 50D & 75D)

† Upcharges not included in MSRP Price

Please see previous page for accessory information

Please note, prices may change with quantity

**Fully Compliant with ARRA Buy American Requirements. Made in the USA.**