

# GTL-SM019

[30W-135W LED Surface Mount Fixture]



### Description:

Die cast aluminum housing & hinged top frame, safety cable restraint, ½" coin plugs with O-rings for conduit & photocell, white powder coat finish over a chromate conversion coating. Two stainless steel latches provide tool-less entry for relamping. Molded prismatic borosilicate glass lens. Cast-in template for mounting directly over a 4" recessed outlet box, or use ½" surface conduit. \*\*\*Optional trim ring available\*\*\*

### Specification Features:

- CSA listed for wet locations.
- Other options and wattages and custom colors available upon request.
- UL listed Driver.
- Custom Optics available to achieve any FC level and distribution required
- Replaces up to 400 HID Lamps using 70%-80% less energy!
- Specifications subject to change without notice.

### Driver:

120-277VAC driver input.  
347-480VAC driver available.  
Without driver modules runs on 24VDC.

### Warranty Information:

- Fixture - 10 year warranty
- Driver - 5 year warranty
- Solstice Light Engine - 10 year warranty

### LED Module Compatibility

Product	Rated Life [L70] [Hrs]	Output Setting	LED Chip Drive Current [mA]	Rated Lumens [Lm]	Rated Watts [W]
GTSOLM21 x 1	100,000	LO	400	2679	30
GTSOLM21 x 1	100,000	ML	500	3742	40
GTSOLM21 x 1	100,000	MH	600	4594	50
GTSOLM21 x 1	100,000	HI	700	5910	60
GTSOL5498 x 1	100,000	ML	350	7814	75
GTSOL5498 x 1	100,000	MH	525	8999	85
GTSOL5498 x 1	100,000	HI	700	9447	95
GTSOL5498 x 1	100,000	HO	900	13164	135

### Fixture Housing Accessories

Catalog #	Description
None	N/A



Fully Compliant with ARRA Buy American Requirements. Made in the USA.

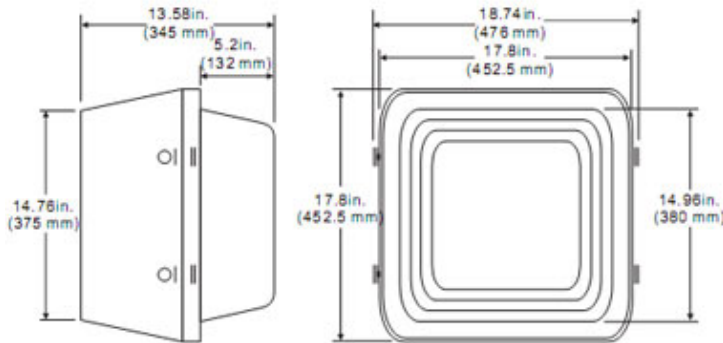


# Product Information

## GTL-SM019

[30W-135W LED Surface Mount Fixture]

### Details



### Features



- Life Sync
- Module Temp Protection
- Lumen Depreciation Maintenance
- Wattage Selections (on board)
- On Board Programming
  - 5-6-1 Energy Saving Program
  - 0-10V Dimming
- Lumiled Luxeon LED chips
- Active Thermal Management
- Optical Distribution Options
- -45°C to 85°C Operating Temperature
- 10 Year Warranty

Ordering Code Example:

GTR-SM019 - 1XM21 - GR - 100% - SV - NL



Fixture	Wattage			Color Temp	Optics	Accessories	
Fixture	Wattage	# of Modules	Setting	Input Voltage	Kelvin	Optics	Accessories
GTL-SM019	30W	1xM21	25%	SV = 120-277V HV = 347-480V	GR = 5700K BR = 5000K	NL = No Lens 10D = Degree	N/A
	40W	1xM21	50%	SV = 120-277V HV = 347-480V	YW = 4100K BL = 4000K	25D = Degree 50D = Degree	
	50W	1xM21	75%	SV = 120-277V HV = 347-480V	RD = 3500K PR = 3000K	75D = Degree 360D = Side Emitters	
	60W	1xM21	100%	SV = 120-277V HV = 347-480V	OR = 2700K AMB = Amber	360s = Square Side Emitters T2 = Type II	
	75W	1x5498	ML	SV = 120-277V HV = 347-480V	GRO = Grow RYB = Royal Blue	T3 = Type III	
	85W	1x5498	MH	SV = 120-277V HV = 347-480V	AQU = Aquarium		
	95W	1x5498	HI	SV = 120-277V HV = 347-480V			
	135W	1x5498	HO	SV = 120-277V HV = 347-480V			

Fully Compliant with ARRA Buy American Requirements. Made in the USA.