

GTL-AR-RW601S-P

[30W-190W LED Roadway Fixture]

Description:

Designed to meet recommended luminance and illuminance requirements for local and major roadway / street classifications.

Features and Ratings:

- Our Thermal Management System incorporates a sleek and robust heatsink to ensure maximum heat transfer and long LED life. Smart Technology provides Lumen Depreciation Circuitry in order to minimize light loss regardless of geographical location.
- UL Listed for Wet Locations
- Optional Dusk to Dawn with twist lock photo control
- Precision Die Cast Aluminum Housing with Powder Coating Finish
- Under and Over voltage protection
- 5-6-1 Dimming Software included
- Standard Type 3 Glass Prismatic Refractor
- May be used with solar applications without driver.

Electrical:

- 120-277 VAC and 347-480 VAC available
- System power factor is >90% and THD <20%
- Class "A" audible sound rating
- Integral surge protection
- Optional high capability surge protection
- Photoelectric sensors (PE) available for all voltages

Roadway Distribution:

- Solstice Light Engine consisting of customizable optics
- Utilizes High Brightness Luxeon-T LED's

Additional Information:

Operating Temperature Range:
-40°C to 55°C Nominal

Photometrics:
.ies files available

Optics offered for different distributions.
(Dist. = 120° w/o secondary optics)

Surge Protector:
- Required for ALL 347V-480V applications in order to qualify for Warranty
- Recommended for all outdoor applications

L70 > 150,000Hrs. @85°C

Warranty: Driver = 5 years
Solstice Light Engine = 10 years
Fixture = 10 years

Life Sync adjusts module to operate at max performance in any given environment


LED Module Compatibility

Product	Output Setting	LED Chip Drive Current [mA]	Rated Lumens [Lm]	Rated Watts [W]
GTSOL5498 x 2	HI	700	18894	190
GTSOL5498 x 2	MH	525	17998	170
GTSOL5498 x 2	ML	350	15628	150
GTSOL5498 x 1	HO	900	13164	135
GTSOL5498 x 1	HI	700	9447	95
GTSOL5498 x 1	MH	525	8999	85
GTSOL5498 x 1	ML	350	7814	75
GTSOLM21 x 1	HI	700	5910	60
GTSOLM21 x 1	MH	600	4594	50
GTSOLM21 x 1	ML	500	3742	40
GTSOLM21 x 1	LO	400	2679	30

Accessories

Catalog #	Description
E-PHC-0120M-USA	DUSK TO DARK TWIST AND LOCK PHOTOCELL
E-REC-R001 BK	RECEPTACLE FOR PHOTOCELL
IP67	IP67 Rated LED Engine
GT-LSP-120	Surge Protector. 120 V 10 kA Parallel. 20kA maximum discharge current.
GT-LSP-240	Surge Protector. 240 V 10 kA Parallel. 20kA maximum discharge current.
GT-LSP-277	Surge Protector. 277 V 10 kA Parallel. 20kA maximum discharge current.
GT-LSP-347	Surge Protector. 347 V 10 kA Parallel. 20kA maximum discharge current.
GT-LSP-480	Surge Protector. 480 V 10 kA Parallel. 20kA maximum discharge current.



Fully Compliant with ARRA Buy American Requirements. Made in the USA.

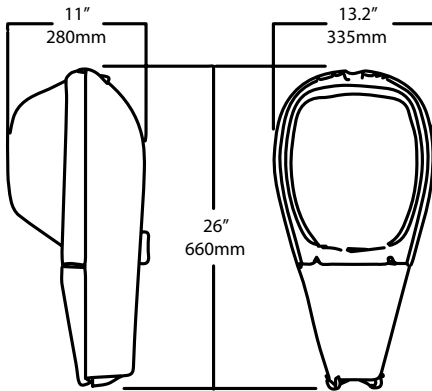


Pricing Information

SR16-6R1

GTL-AR-RW601S-P [30W-190W LED Roadway Fixture]

Details



Features



- Life Sync
- Module Temp Protection
- Lumen Depreciation Maintenance
- Wattage Selections (on board)
- On Board Programming
 - 5-6-1 Energy Saving Program
 - 0-10V Dimming
- Lumiled Luxeon LED chips
- Active Thermal Management
- Optical Distribution Options
- -40°C to 55°C Nominal Operating Temperature
- 10 Year Warranty

Ordering Code Example:

GTL-AR-RW-601S-P - 5498 - HI - SV - BL - NL / IP67

Fixture	Module	Wattage	Voltage		CCT	Lens	Accs	
GTL-AR-RW-601S-P	2x5498	HI (190W)	SV (120V-277V)		GR (5000K) [70CRI]	NL = No Lens	E-PHC-0120M-USA	
			HV (347V-480V)		BR (5000K) [80CRI]	10D = 10D Lens	E-REC-R001 BK	
	2x5498	MH (170W)	SV (120V-277V)		YW (4100K) [70CRI]	25D = 25D Lens	IP67 = M21*	
			HV (347V-480V)		BL (4000K) [80CRI]	50D = 50D Lens	IP67 = 5498*	
	2x5498	ML (150W)	SV (120V-277V)		RD (3500K) [80CRI]	75D = 75D Lens	IP67 = 2x5498*	
			HV (347V-480V)		PR (3000K) [95CRI]	360D = 360D Lens	GT-LSP-120	
	5498	HO (135W)	SV (120V-277V)		OR (2700K) [80CRI]	360s = 360 Square Lens	GT-LSP-240	
			HV (347V-480V)		GRO (Grow)†	T2 = Type II Lens	GT-LSP-277	
	5498	HI (95W)	SV (120V-277V)		AMB (Amber)†	T3 = Type III Lens	GT-LSP-347	
			HV (347V-480V)		AQU (Aquarium)†		GT-LSP-480	
	5498	MH (85W)	SV (120V-277V)		RYB (Royal Blue)†			
			HV (347V-480V)					
	5498	ML (75W)	SV (120V-277V)					
			HV (347V-480V)					
	M21	HI (60W)	SV (120V-277V)					
			HV (347V-480V)					
	M21	MH (50W)	SV (120V-277V)					
			HV (347V-480V)					
M21	ML (40W)	SV (120V-277V)						
		HV (347V-480V)						
M21	LO (30W)	SV (120V-277V)						
		HV (347V-480V)						

* IP67 upgrade for module + fan (only NL, 10D, 25D, 50D & 75D)

+ Upcharges not included in MSRP Price

Please see previous page for accessory information

Please note, prices may change with quantity

Fully Compliant with ARRA Buy American Requirements. Made in the USA.