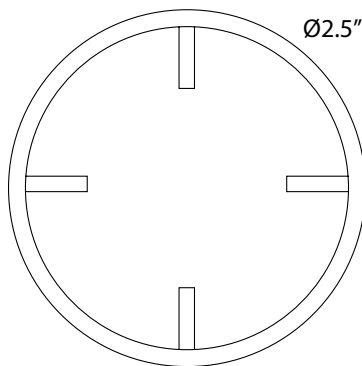


# GTL-AR-RW-5498

## [75W-190W LED Roadway Fixture]


**Mounting:**


### LED Module Compatibility

Product	Output Setting	LED Chip Drive Current [mA]	Rated Lumens [Lm]	Rated Watts [W]
GTSOL5498-ECO x 2	HI	700	18894	190
GTSOL5498-ECO x 2	MH	525	17998	170
GTSOL5498-ECO x 2	ML	350	15628	150
GTSOL5498-ECO x 1	HO	900	13164	135
GTSOL5498-ECO x 1	HI	700	9447	95
GTSOL5498-ECO x 1	MH	525	8999	85
GTSOL5498-ECO x 1	ML	350	7814	75

### Accessories

Catalog #	Description
GT-LSP-120	Surge Protector. 120 V 10 kA Parallel. 20kA maximum discharge current.
GT-LSP-240	Surge Protector. 240 V 10 kA Parallel. 20kA maximum discharge current.
GT-LSP-277	Surge Protector. 277 V 10 kA Parallel. 20kA maximum discharge current.
GT-LSP-347	Surge Protector. 347 V 10 kA Parallel. 20kA maximum discharge current.
GT-LSP-480	Surge Protector. 480 V 10 kA Parallel. 20kA maximum discharge current.

### Description:

Designed to meet recommended luminance and illuminance requirements for local and major roadway / street classifications.

### Features and Ratings:

- Our Thermal Management System incorporates a sleek and robust heatsink to ensure maximum heat transfer and long LED life. Smart Technology provides Lumen Depreciation Circuitry in order to minimize light loss regardless of geographical location.
- Die Cast Aluminum Alloy, Anti-Corrosion Treated
- 304 Stainless Steel screws
- Epoxy Powder Coated
- PG7/PG9 Waterproof Connectors
- 4mm Tempered Cover Glass
- Specular Reflector
- Efficacy = 93.3 Lm/W
- Solstice LED Engines UL/cULus listed
- IP65 rated optical enclosure per ANSI C136.25-2009
- Temperature rated at -40°C to 55°C Nominal
- Upward Light Output Ratio (ULOR) = 0
- May be used with solar applications without driver.
- Fits poles up to 2.5"

### Electrical:

- 120-277 volt and 347-480 volt available
- System power factor is >90% and THD <20%
- Class "A" audible sound rating
- Integral surge protection
- Optional high capability surge protection
- Photoelectric sensors (PE) available for all voltages

### Roadway Distribution:

- Solstice Light Engine consisting of Scalable Optical
- Utilizes Phillips High Brightness T LED's

### Additional Information:

Operating Temperature Range:  
-40°C to 55°C Nominal

Photometrics:  
.ies files available

Optics offered for different distributions.  
(Dist. = 120° w/o secondary optics)

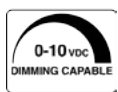
Surge Protector:  
- Required for ALL 347V-480V applications in order to qualify for Warranty

L70 > 150,000Hrs.

- Recommended for all outdoor applications

Life Sync adjusts module to operate at max performance in any given environment

Warranty: Driver = 5 years  
Solstice Light Engine = 10 years  
Fixture = 10 years



**Fully Compliant with ARRA Buy American Requirements. Made in the USA.**

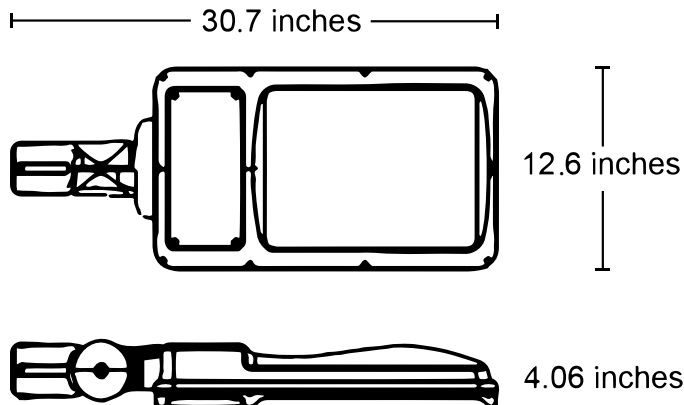


# GTL-AR-RW-5498

[75W-190W LED Roadway Fixture]

SR16-6R1

## Details



### Features



- Life Sync
- Module Temp Protection
- Lumen Depreciation Maintenance
- Wattage Selections (on board)
- On Board Programming
- 5-6-1 Energy Saving Program
- 0-10V Dimming
- Lumiled Luxeon LED chips
- Optical Distribution Options
- -40°C to 55°C Nominal Operating Temperature
- 5 Year Warranty

Ordering Code Example:

GTL-AR-RW-5498 - 5898-ECO - HI - SV - YW - NL / -----

Fixture	Module	Wattage	Voltage		CCT	Lens	Accs	
GTL-AR-RW-5498	2x5498-ECO	HI (190W)	SV (120V-277V)		GR (5000K) [70CRI]	NL = No Lens	GT-LSP-120	
			HV (347V-480V)		BR (5000K) [80CRI]	10D = 10D Lens	GT-LSP-240	
	2x5498-ECO	MH (170W)	SV (120V-277V)		YW (4100K) [70CRI]	25D = 25D Lens	GT-LSP-277	
			HV (347V-480V)		BL (4000K) [80CRI]	50D = 50D Lens	GT-LSP-347	
	2x5498-ECO	ML (150W)	SV (120V-277V)		RD (3500K) [80CRI]	75D = 75D Lens	GT-LSP-480	
			HV (347V-480V)		PR (3000K) [95CRI]	360D = 360D Lens		
	5498-ECO	HO (135W)	SV (120V-277V)		OR (2700K) [80CRI]	360s = 360 Square Lens		
			HV (347V-480V)			T2 = Type II Lens		
	5498-ECO	HI (95W)	SV (120V-277V)			T3 = Type III Lens		
			HV (347V-480V)					
	5498-ECO	MH (85W)	SV (120V-277V)					
			HV (347V-480V)					
	5498-ECO	ML (75W)	SV (120V-277V)					
			HV (347V-480V)					

Please see previous page for accessory information  
Please note, prices may change with quantity

Fully Compliant with ARRA Buy American Requirements. Made in the USA.