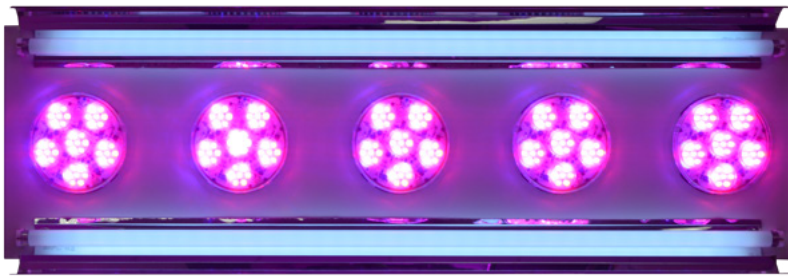


## Mammoth-C500 Grow Fixture [560W Industrial High PAR LED Grow Light]



Mammoth-C500 (off)



Mammoth-C500 (on)

### Description and Application:

The Mammoth-C500 is a revolutionary new horticultural growing system. Utilizing mainly red and blue spectrum's of light supported by two tubes of UV light, the light emitted from this fixture is as efficient as possible. Overhead High PAR and side fill Mid PAR versions available. PAR Values range from 310-850+ based on optical distribution.

### Key Features:

- Life Sync Smart Technology - Over temperature protection and lumen depreciation maintenance
- Programmable Power & Timing Settings on board.
- Offers industry-leading 50,000 hrs rated average life.\*
- Low energy consumption with only 95W/Module.
- Low running temperature cuts cost of air conditioning.
- Supplemental UV tubes help mimic sunlight for a increased yields and quality of crops
- Soft start.
- Made in the USA.
- Red and Blue LEDs target specific wavelengths absorbed by chlorophyll in plants.

\*Rated average life based on engineering testing and probability analysis

### Input Voltage:

50/60Hz  
120-277VAC

### Additional Information:

Operating Temperature Range:  
-40°C to 55°C Nominal

Life Sync adjusts module to operate at max performance in any given environment

Optics offered for different distributions.  
(Dist. = 120° w/o secondary optics)

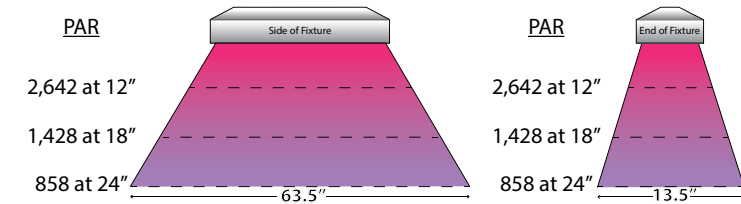
Photometrics:  
.ies files available

L70 > 150,000Hrs.

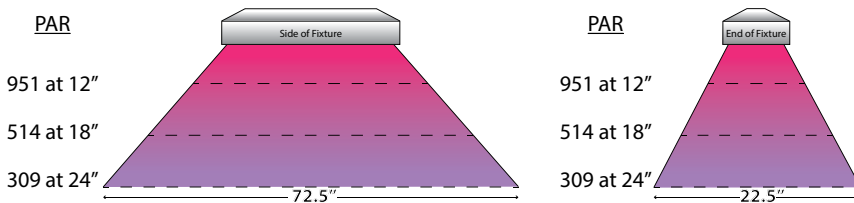
Warranty: Driver = 5 years  
Solstice Light Engine = 5 years  
Fixture = 5 years  
Tubes = No warranty

### Accessories

Catalog #	Description
IP67	IP67 Rated LED Engine
GT-SAFETY-CABLE-3'	One 3 foot safety cable (please specify for multiple cables)
GT-SAFETY-CABLE-4'	One 4 foot safety cable (please specify for multiple cables)
GT-LSP-120	Surge Protector. 120 V 10 kA Parallel. 20kA maximum discharge current.
GT-LSP-240	Surge Protector. 240 V 10 kA Parallel. 20kA maximum discharge current.
GT-LSP-277	Surge Protector. 277 V 10 kA Parallel. 20kA maximum discharge current.
GT-LSP-347	Surge Protector. 347 V 10 kA Parallel. 20kA maximum discharge current.
GT-LSP-480	Surge Protector. 480 V 10 kA Parallel. 20kA maximum discharge current.



High PAR Distribution



Mid PAR Distribution



Fully Compliant with ARRA Buy American Requirements. Made in the USA.

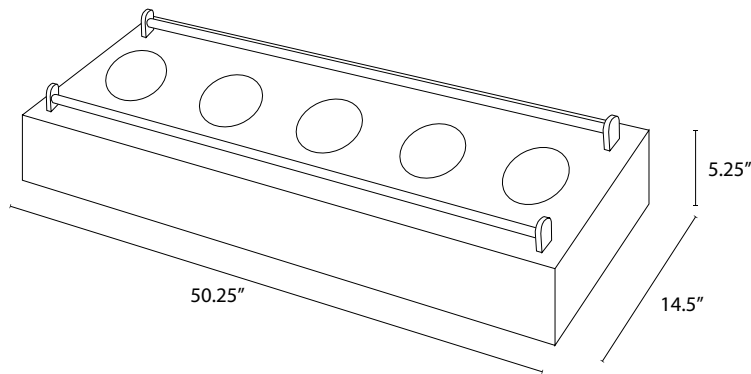


# Product Information

## Mammoth-C500 Grow Fixture

[560W Industrial High PAR LED Grow Light]

### Details



### Features



- Life Sync
- Module Temp Protection
- Lumen Depreciation Maintenance
- Under/Over Voltage and Current Protection
- Wattage Selections (on board)
- On Board Programming
  - 5-6-1 Energy Saving Program
  - 0-10V Dimming
- Lumiled Luxeon LED chips
- Active Thermal Management
- Optical Distribution Options
- -40°C to 55°C Nominal Operating Temperature
- 5 Year Warranty

Ordering Code Example:

GTL-GW-C500 - 5x5498 - HI - SV - GRO - 50D / (2)GT-SAFETY-CABLE-4'

Fixture	Module	Wattage	Voltage		CCT	Lens	Accs	
GTL-GW-C500	5x5498	HI (560W)	SV (120V-277V)		GRO (Grow)	25D = High PAR Value 50D = Mid PAR Value	IP67* = 5x5498	
							GT-SAFETY-CABLE-3'	
							GT-SAFETY-CABLE-4'	
							GT-LSP-120	
							GT-LSP-240	
							GT-LSP-277	
							GT-LSP-347	
							GT-LSP-480	

\* IP67 upgrade for module + fan

Please see previous page for accessory information  
Please note, prices may change with quantity

Fully Compliant with ARRA Buy American Requirements. Made in the USA.

# Mammoth-C500 Grow Fixture

[560W Industrial High PAR LED Grow Light]



SIMPLY UNIVERSAL

*“Growing Plants and Business”*



### Features:

- 560W Industrial High PAR LED Grow Light
- Made in the USA
- 50,000+ Hr expected life
- Soft start - ramps up to 100% output
- 0-10V dimming/control compatible
- Life Sync thermal protection system

### Physical:

- Mammoth-C500 Dimensions: 50.25" x 14.5" x 5.25"
- Weight: 34.2Lb
- Active Cooling for advanced heat dissipation
  - Fan Life: 100,000Hr Rated Life
- Conformal Coated Circuit Board
- 210 premium high output LED chips

### LED Characteristics:

Chip Set: Luxeon Rebel LXML

- Royal Blue (440nm)
- Red (645nm)
- UVB (285nm-315nm)

### LED Drivers:

Phillips Drivers:

- Number of Drivers: 5
- 100W
- 50/60Hz
- 120V-277V / 347V-480V

### UVB Ballast:

Sylvania Ballast:

- Number of Drivers: 1
- 100W
- 50/60Hz
- 120V-277V / 347V-480V

### Expected Life Span:

- 50,000+ Hrs
- L70 ≥ 150,000Hrs @ 95°C

### Warranty:

- Solstice LED Modules: 5 Years
- Drivers: 5 Years
- Fixture: 5 Years
- Tubes: No Warranty

### PAR Values:

 (measured at center)

#### High PAR Distribution (Distance from light/PAR Value):

- 12" / 2,642
- 18" / 1,428
- 24" / 858

#### Mid PAR Distribution (Distance from light/PAR Value):

- 12" / 951
- 18" / 514
- 24" / 309

### Coverage:

- High PAR at 24" from light: **63.5" x 13.5"**
- Mid PAR at 24" from light: **72.5" x 22.5"**

**Fully Compliant with ARRA Buy American Requirements. Made in the USA.**