

16" Gemini High Bay

[30W-260W High Bay Fixture]


 GTL-HB-G16
with clear 16" acrylic
refractor (Acc: CLR)

 GTL-HB-G16 with White
16" acrylic refractor
(Acc: WHT)


Description and Application:

High Performance LED High Bay with hook and cord.

Simply hook to ceiling and plug into power box or input line voltage.

Features:

- Lumen Range 7,814Lm (5498-ML) - 33,730Lm (112-HO)
- Soft start
- Optimized for HDTV Broadcasts
- Instant On/Off
- No Flicker
- IP67 Rated (Optional)
- 0-10VDC Dimming compatible
- 0-10VDC Input Port.
- Current accuracy over the LED operating temperature range +/- 3%.

Wattage and Energy Selections by Dip Switch:

GTSOLM21 – 30W, 40W, 50W, 60W
GTSOL5498 – 75W, 85W, 95W, 135W
GTSOL112 – 200W, 260W

On board programs selected by Dip Switch:

STD: Standard Operation

SAVE: 5-6-1 Energy saving program

Dimm Sink - Select when using a driver as 10V source for dimmer switch

Dimm Source - Select when GTSOL5498 is used as 10V source for dimmer switch

Driver:

120-277VAC driver input.
(Blue = Neutral, Brown = Hot)

Additional Information:

Operating Temperature
Range:
up to +85 degrees Celsius

Photometrics:
.ies files available

Optics offered for different
distributions.
(Dist. = 120° w/o
secondary optics)

Surge Protector:
- Required for ALL 347V-480V
applications in order to qualify for
Warranty
- Recommended for all outdoor
applications

L70 > 150,000Hrs.

Warranty: Driver = 5 years
Solstice Light Engine = 10 years
Fixture = 10 years

Life Sync adjusts module
to operate at max
performance in any given
environment

Accessories

Catalog #	Description
IP67	IP67 Rated LED Engine
GT-LSP-120	Surge Protector. 120 V 10 kA Parallel. 20kA maximum discharge current.
GT-LSP-240	Surge Protector. 240 V 10 kA Parallel. 20kA maximum discharge current.
GT-LSP-277	Surge Protector. 277 V 10 kA Parallel. 20kA maximum discharge current.
WHT	16" White Refractor
CLR	16" Clear Refractor
GT-S16-CDL-ACR-CL	16" ACRYLIC-CLEAR CONICAL DROP LENS
GT-S16-CDL-ACR-FR	16" ACRYLIC-FROSTED CONICAL DROP LENS
GT-S16-CDL-POL	16" POLYCARBONATE CONICAL DROP LENS
GT-S16-DL-ACR	16" ACRYLIC DROP LENS
GT-S16-DL-POL	16" POLYCARBONATE DROP LENS
GT-S16-SFL-ACR-CL	16" ACRYLIC - CLEAR SMOOTH FLAT LENS
GT-S16-SFL-ACR-FR	16" ACRYLIC-FROSTED SMOOTH FLAT LENS
GT-S16-SFL-POL	16" POLYCARBONATE SMOOTH FLAT LENS
GT-S16CB	CLAMP BAND FOR S16 REFLECTORS
GT-S16WG	WIRE GUARD FOR S16 REFLECTORS - DOES NOT NEED A CLAMP BAND



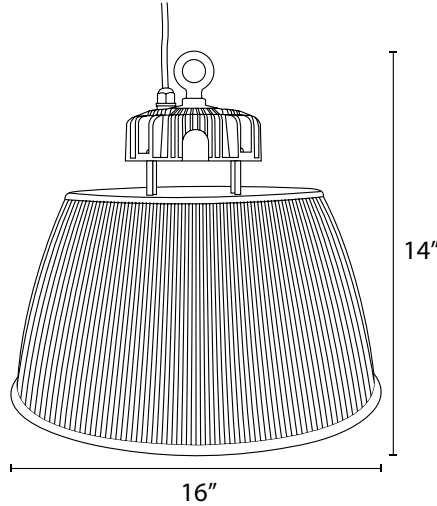
Fully Compliant with ARRA Buy American Requirements. Made in the USA.



16" Gemini High Bay

[30W-260W High Bay Fixture]

Details



Features



- Life Sync
- Module Temp Protection
- Lumen Depreciation Maintenance
- Wattage Selections (on board)
- On Board Programming
- 5-6-1 Energy Saving Program
- 0-10V Dimming
- Lumiled Luxeon LED chips
- Active Thermal Management
- Optical Distribution Options
- -45°C to 85°C Operating Temperature
- 10 Year Warranty

Ordering Code Example:

GTL-HB-G16 - 112 - MH - SV - GR - NL / GT-LSP-120 - IP67

Fixture	Module	Wattage	Voltage		CCT	Lens	Accs		
GTL-HB-G16	M21	LO (30W)	SV (120V-277V)		GR (5000K) [70CRI]	NL = No Lens	IP67 = M21*		
					BR (5000K) [80CRI]	10D = 10D Lens	IP67 = 5498*		
	M21	ML (40W)	SV (120V-277V)		YW (4100K) [70CRI]	25D = 25D Lens	IP67 = 112*		
					BL (4000K) [80CRI]	50D = 50D Lens	GT-LSP-120		
	M21	MH (50W)	SV (120V-277V)		RD (3500K) [80CRI]	75D = 75D Lens	GT-LSP-240		
					PR (3000K) [95CRI]	360D = 360D Lens	GT-LSP-277		
	M21	HI (60W)	SV (120V-277V)			OR (2700K) [80CRI]	360s = 360 Square Lens	WHT	
							T2 = Type II Lens	CLR	
	5498	ML (75W)	SV (120V-277V)				T3 = Type III Lens	GT-S16-CDL-ACR-CL	
								GT-S16-CDL-ACR-FR	
	5498	MH (85W)	SV (120V-277V)					GT-S16-CDL-POL	
								GT-S16-DL-ACR	
5498	HI (95W)	SV (120V-277V)					GT-S16-DL-POL		
							GT-S16-SFL-ACR-CL		
5498	HO (135W)	SV (120V-277V)					GT-S16-SFL-ACR-FR		
							GT-S16-SFL-POL		
112	ML (200W)	SV (120V-277V)					GT-S16CB		
							GT-S16WG		
112	MH (260W)	SV (120V-277V)							

* IP67 upgrade for module + fan

Please see previous page for accessory information

Fully Compliant with ARRA Buy American Requirements. Made in the USA.