

16" Gemini High Bay [30W-260W High Bay Fixture]



GTL-HB-G16 with clear 16" acrylic refractor (Acc: CLR)



GTL-HB-G16 with White 16" acrylic refractor (Acc: WHT)



Accessories

Catalog #	Description
IP67	IP67 Rated LED Engine
GT-LSP-120	Surge Protector. 120 V 10 kA Parallel. 20kA maximum discharge current.
GT-LSP-240	Surge Protector. 240 V 10 kA Parallel. 20kA maximum discharge current.
GT-LSP-277	Surge Protector. 277 V 10 kA Parallel. 20kA maximum discharge current.
WHT	16" White Refractor
CLR	16" Clear Refractor
GT-S16-CDL-ACR-CL	16" ACRYLIC-CLEAR CONICAL DROP LENS
GT-S16-CDL-ACR-FR	16" ACRYLIC-FROSTED CONICAL DROP LENS
GT-S16-CDL-POL	16" POLYCARBONATE CONICAL DROP LENS
GT-S16-DL-ACR	16" ACRYLIC DROP LENS
GT-S16-DL-POL	16" POLYCARBONATE DROP LENS
GT-S16-SFL-ACR-CL	16" ACRYLIC - CLEAR SMOOTH FLAT LENS
GT-S16-SFL-ACR-FR	16" ACRYLIC-FROSTED SMOOTH FLAT LENS
GT-S16-SFL-POL	16" POLYCARBONATE SMOOTH FLAT LENS
GT-S16CB	CLAMP BAND FOR S16 REFLECTORS
GT-S16WG	WIRE GUARD FOR S16 REFLECTORS - DOES NOT NEED A CLAMP BAND
GT-PLUG-120	Turn-Lock, Three-Blade Male Plug, NEMA L5-15
GT-PLUG-277	Turn-Lock, Three-Blade Male Plug, NEMA L7-15
GT-PENDANT	Pendant mount; please specify length when ordering
GT-S16-PC-CLR	16" Clear polycarbonate refractor
GT-S16-PC-WHT	16" White polycarbonate refractor

LED Module Compatibility

Product	Output Setting	LED Chip Drive Current [mA]	Rated Lumens [Lm]	Rated Watts [W]
GTSOL112 x 1	MH	2120	24290	260
GTSOL112 x 1	ML	1670	19570	200
GTSOL5498 x 1	HO	900	13164	135
GTSOL5498 x 1	HI	700	9447	95
GTSOL5498 x 1	MH	525	8999	85
GTSOL5498 x 1	ML	350	7814	75
GTSOLM21 x 1	HI	700	5910	60
GTSOLM21 x 1	MH	600	4594	50
GTSOLM21 x 1	ML	500	3742	40
GTSOLM21 x 1	LO	400	2679	30



Description and Application:

High Performance LED High Bay with hook and cord.

Simply hook to ceiling and plug into power box or input line voltage.

Features:

- Lumen Range 2,679Lm (M21-LO) - 24,290Lm (112-MH)
- Soft start
- Optimized for HDTV Broadcasts
- Instant On/Off
- No Flicker
- IP67 Rated (Optional)
- 0-10VDC Dimming compatible
- 0-10VDC Input Port.
- Eye hook mounting standard without GT-PENDANT accessory
- Whip length - 6' 7"

Wattage and Energy Selections by Dip Switch:

GTSOLM21 – 30W, 40W, 50W, 60W
 GTSOL5498 – 75W, 85W, 95W, 135W
 GTSOL112 – 200W, 260W

On board programs selected by Dip Switch:

STD: Standard Operation

Dimm Sink - Select when using an external 0-10V signal as source for dimming

Dimm Source - Select when GTSOL5498 is used as 10V source for dimmer switch

Driver:

120-277VAC driver input.
 (Blue = Neutral, Brown = Hot)

Additional Information:

Operating Temperature Range:
 -40°C to 55°C Nominal

Photometrics:
 .ies files available

Optics offered for different distributions.
 (Dist. = 120° w/o secondary optics)

Surge Protector:
 - Recommended for all outdoor applications

L70 > 150,000Hrs.

Warranty: Driver = 5 years
 Solstice Light Engine = 10 years
 Fixture = 10 years

Life Sync adjusts module to operate at max performance in any given environment

Weight:
 Gemini 112 = Approx. 13.8lbs
 Gemini 5498 = Approx. 9.8lbs

Optional Conduit Mounting Kit (conduit not included)



Fully Compliant with ARRA Buy American Requirements. Made in the USA.

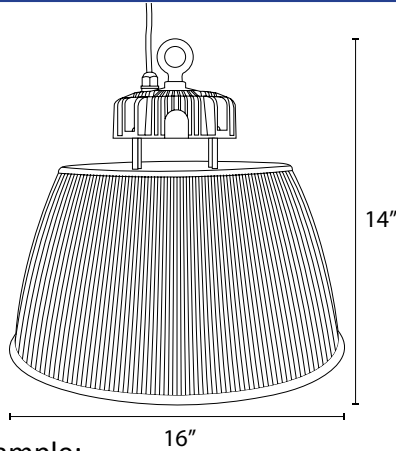


16" Gemini High Bay

[30W-260W High Bay Fixture]

SR16-6R1

Details



Features



- Life Sync
- Module Temp Protection
- Lumen Depreciation Maintenance
- Wattage Selections (on board)
- On Board Programming
- 5-6-1 Energy Saving Program
- 0-10V Dimming
- Lumiled Luxeon LED chips
- Active Thermal Management
- Optical Distribution Options
- -40°C to 55°C Nominal Operating Temperature
- 10 Year Warranty

Ordering Code Example:

GTL-HB-G16 - 112 - MH - SV - GR - NL / GT-LSP-120 - IP67

Fixture	Module	Wattage	Voltage		CCT	Lens	Accs	
GTL-HB-G16	112**	MH (260W)	SV (120V-277V)		GR (5000K) [70CRI]	NL = No Lens	IP67 = M21*	
					BR (5000K) [80CRI]	10D = 10D Lens	IP67 = 5498*	
	112**	ML (200W)	SV (120V-277V)		YW (4100K) [70CRI]	25D = 25D Lens	IP67 = 112*	
					BL (4000K) [80CRI]	50D = 50D Lens	GT-LSP-120	
	5498	HO (135W)	SV (120V-277V)		RD (3500K) [80CRI]	75D = 75D Lens	GT-LSP-240	
					PR (3000K) [95CRI]	360D = 360D Lens	GT-LSP-277	
	5498	HI (95W)	SV (120V-277V)		OR (2700K) [80CRI]	360s = 360 Square Lens	WHT	
					GRO (Grow)†	T2 = Type II Lens	CLR	
	5498	MH (85W)	SV (120V-277V)		AMB (Amber)†	T3 = Type III Lens	GT-S16-CDL-ACR-CL	
					AQU (Aquarium)†		GT-S16-CDL-ACR-FR	
	5498	ML (75W)	SV (120V-277V)		RYB (Royal Blue)†		GT-S16-CDL-POL	
							GT-S16-DL-ACR	
	M21	HI (60W)	SV (120V-277V)				GT-S16-DL-POL	
							GT-S16-SFL-ACR-CL	
	M21	MH (50W)	SV (120V-277V)				GT-S16-SFL-ACR-FR	
							GT-S16-SFL-POL	
M21	ML (40W)	SV (120V-277V)				GT-S16CB		
						GT-S16WG		
M21	LO (30W)	SV (120V-277V)				GT-PLUG-120		
						GT-PLUG-277		
						GT-PENDANT		
						GT-S16-PC-CLR		
						GT-S16-PC-WHT		

* IP67 upgrade for module + fan (only NL, 10D, 25D, 50D & 75D)

** 112 Module only offered in BR, BL & OR CCT's

† Upcharges not included in MSRP Price

Please see previous page for accessory information

Fully Compliant with ARRA Buy American Requirements. Made in the USA.