

## GTL-AR-FL50 [30W-135W LED Flood Light Fixture]

### Description and Application:

Die cast aluminum housing and hinged top frame. 1/2" coin plugs with O Rings for conduit & photocell. Tempered clear flat glass lens. Textured Architectural Bronze powder coat finish over a chromate conversion coating.

### Specification Features:

- CSA listed housing for wet locations.
- See Solstice or Solstice Mini Spec Sheets for additional details.
- Custom colors available upon request.
- Specifications subject to change without notice.

### Input Voltage:

50/60Hz  
Input voltage 120-277VAC 100W  
480VAC driver also available.  
24VDC operation without driver.

### Additional Information:

Operating Temperature Range:  
-40°C to 55°C Nominal

Photometrics:  
.ies files available

Optics offered for different distributions.  
(Dist. = 120° w/o secondary optics)

Surge Protector:  
- Required for ALL 347V-480V applications in order to qualify for Warranty  
- Recommended for all outdoor applications

L70 > 150,000Hrs.

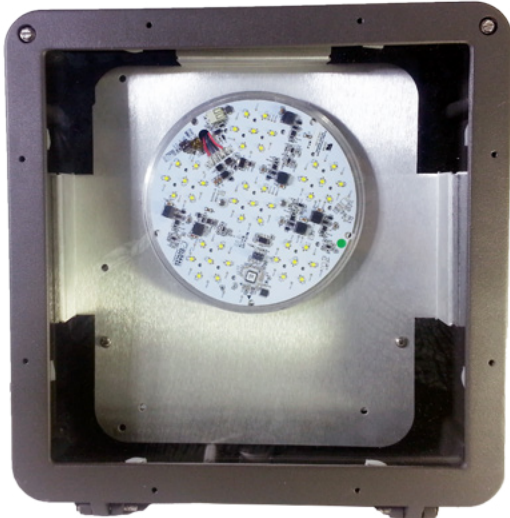
Life Sync adjusts module to operate at max performance in any given environment

Warranty: Driver = 5 years  
Solstice Light Engine = 10 years  
Fixture = 10 years

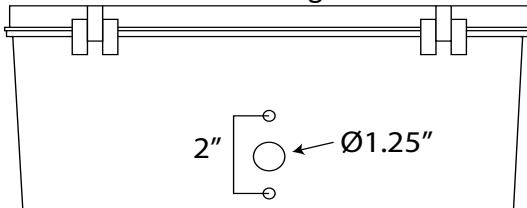
### Additional Options:

Catalog #	Description
FL50GS	Glare Shield, Aluminum, Bronze Powdercoat
FL50LG	Clear Polycarbonate Vandal Resistant Guard
FL50WG	Wire Guard, Stainless Steel Construction
FL73BR	Two-Piece Swivel Bracket, Stamped, Bronze Finish
FL735FX	External Mount Slipfitter, Die Cast with Hardware & Angle Indicator
FLEM6	6" Aluminum Extruded Mounting Arm, Bronze, Gasket & Hardware. Fits Square Poles.
FLEM10*	10" Aluminum Extruded Mounting Arm, Bronze, Gasket & Hardware. Fits Square Poles.
FLEM12*	12" Aluminum Extruded Mounting Arm, Bronze, Gasket & Hardware. Fits Square Poles.
PTASUNV	Square Pole Tenon Adaptor Allows Installation of up to 4 Fixtures, Fits 2 3/4" Diameter Vertical Tenon, Bronze Finish. Use FLEMs
FLEMWWM	Heavy-duty Steel Wall Bracket for FLEM Mounting Arms, Bronze Powdercoat Finish.
P18130	480VAC Twist Lock Photocell Receptacle
P18131	Twist Lock Non-Shorting (Open) Cap Disconnects Service to Fixture for Temporary or Permanent Disabling (Fixture Always Off). IP65, 480V Maximum
P18132	Twist Lock Shorting Cap Provides Fixed Service to Fixture (Fixture Always on). IP65, Rated Load 7200w Tungsten.
P18140	110-120VAC Instant Twist Lock
P18142	110-277VAC Instant Twist Lock
P18150	120VAC Time Delay Twist Lock
P18152	277VAC Time Delay Twist Lock
IP67	IP67 Rated LED Engine
GT-LSP-120	Surge Protector. 120 V 10 kA Parallel. 20kA maximum discharge current.
GT-LSP-240	Surge Protector. 240 V 10 kA Parallel. 20kA maximum discharge current.
GT-LSP-277	Surge Protector. 277 V 10 kA Parallel. 20kA maximum discharge current.
GT-LSP-347	Surge Protector. 347 V 10 kA Parallel. 20kA maximum discharge current.
GT-LSP-480	Surge Protector. 480 V 10 kA Parallel. 20kA maximum discharge current.

\*Add R for Round Pole Mounting, Fits 4" Diameter Poles



### Mounting:



### LED Module Compatibility

Product	Output Setting	LED Chip Drive Current [mA]	Rated Lu-mens [Lm]	Rated Watts [W]
GTSOL5498 x 1	HO	900	13164	135
GTSOL5498 x 1	HI	700	9447	95
GTSOL5498 x 1	MH	525	8999	85
GTSOL5498 x 1	ML	350	7814	75
GTSOLM21 x 1	HI	700	5910	60
GTSOLM21 x 1	MH	600	4594	50
GTSOLM21 x 1	ML	500	3742	40
GTSOLM21 x 1	LO	400	2679	30



Fully Compliant with ARRA Buy American Requirements. Made in the USA.

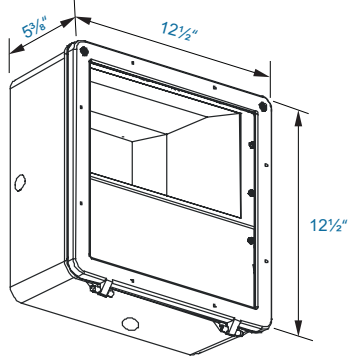


# GTL-AR-FL50

[30W-135W LED Flood Light Fixture]

SR16-6R1

## Details



## Features



- Life Sync
- Module Temp Protection
- Lumen Depreciation Maintenance
- Wattage Selections (on board)
- On Board Programming
  - 5-6-1 Energy Saving Program
  - 0-10V Dimming
- Lumiled Luxeon LED chips
- Active Thermal Management
- Optical Distribution Options
- -40°C to 55°C Nominal Operating Temperature
- 10 Year Warranty

Ordering Code Example:

GTL-AR-FL50 - 5498 - HO - SV - BR - NL / FLEM6 - IP67

Fixture	Module	Wattage	Voltage		CCT	Lens	Accs	
GTL-AR-FL50	5498	HO (135W)	SV (120V-277V)		GR (5000K) [70CRI]	NL = No Lens	FL50GS	
			HV (347V-480V)		BR (5000K) [80CRI]	10D = 10D Lens	FL50LG	
	5498	HI (95W)	SV (120V-277V)		YW (4100K) [70CRI]	25D = 25D Lens	FL50WG	
			HV (347V-480V)		BL (4000K) [80CRI]	50D = 50D Lens	FL73BR	
	5498	MH (85W)	SV (120V-277V)		RD (3500K) [80CRI]	75D = 75D Lens	FL73SFX	
			HV (347V-480V)		PR (3000K) [95CRI]	360D = 360D Lens	FLEM6	
	5498	ML (75W)	SV (120V-277V)		OR (2700K) [80CRI]	360s = 360 Square Lens	FLEM10	
			HV (347V-480V)		GRO (Grow)†	T2 = Type II Lens	FLEM12	
	M21	HI (60W)	SV (120V-277V)		AMB (Amber)†	T3 = Type III Lens	PTASUNV	
			HV (347V-480V)		AQU (Aquarium)†		FLEMWM	
	M21	MH (50W)	SV (120V-277V)		RYB (Royal Blue)†		P18130	
			HV (347V-480V)				P18131	
	M21	ML (40W)	SV (120V-277V)				P18132	
			HV (347V-480V)				P18140	
	M21	LO (30W)	SV (120V-277V)				P18142	
			HV (347V-480V)				P18150	
							P18152	
							IP67 = M21*	
						IP67 = 5498*		
						GT-LSP-120		
						GT-LSP-240		
						GT-LSP-277		
						GT-LSP-347		
						GT-LSP-480		

\* IP67 upgrade for module + fan (only NL, 10D, 25D, 50D & 75D)  
 † Upcharges not included in MSRP Price

Please see previous page for accessory information  
 Please note, prices may change with quantity

**Fully Compliant with ARRA Buy American Requirements. Made in the USA.**