

GTL-AR-FL46 [30W-60W LED Flood Light Fixture]

Description and Application:

Die cast aluminum housing and hinged top frame. Tempered clear flat glass lens. Textured Architectural Bronze powder coat finish over a chromate conversion coating.

Specification Features:

- CSA listed housing for wet locations.
- See Solstice Mini Spec Sheet for additional details.
- Adjustable Knuckle with Angle Indicators and ½" NPT Threads
- Custom colors available upon request.
- Specifications subject to change without notice.

4 Wattage Selection of Switch:

GTSOLM21 – 30W, 40W, 50W, 60W

GTSOLM21-ECO – 30W, 40W (Please see FL46-ECO Cutsheet)

Input Voltage:

50/60Hz

Input voltage 120-277VAC 100W

480VAC driver also available.

24VDC operation without driver.

Additional Information:

Operating Temperature Range:
-40°C to 55°C Nominal

Photometrics:
.ies files available

Optics offered for different distributions.
(Dist. = 120° w/o secondary optics)

Surge Protector:
- Required for ALL 347V-480V applications in order to qualify for Warranty
- Recommended for all outdoor applications

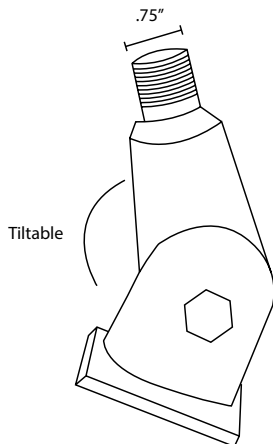
L70 > 150,000Hrs.

Life Sync adjusts module to operate at max performance in any given environment

Warranty: Driver = 5 years
Solstice Light Engine = 10 years
Fixture = 10 years



Mounting:



LED Module Compatibility

Product	Output Setting	LED Chip Drive Current [mA]	Rated Lu-mens [Lm]	Rated Watts [W]
GTSOLM21 x 1	HI	700	5910	60
GTSOLM21 x 1	MH	600	4594	50
GTSOLM21 x 1	ML	500	3742	40
GTSOLM21 x 1	LO	400	2679	30

Accessories

Catalog #	Description
FL45GL	Tempered Clear Flat Glass Lens
FL45GS	Glare Shield, Aluminum, Bronze Powdercoat Finish (Can be reverse mounted as a back cutoff.)
FL45LG	Clear Polycarbonate Vandal Resistant Guard
FLSTK	Heavy-Duty Ground Stake, Built-in Wiring Compartment
FL45WG	Wire Guard, Stainless Steel Construction
FLPTF	Post Top Fitter, Die Cast Aluminum, Three (3) ½" Coin Plugs
IP67	IP67 Rated LED Engine
GT-LSP-120	Surge Protector. 120 V 10 kA Parallel. 20kA maximum discharge current.
GT-LSP-240	Surge Protector. 240 V 10 kA Parallel. 20kA maximum discharge current.
GT-LSP-277	Surge Protector. 277 V 10 kA Parallel. 20kA maximum discharge current.
GT-LSP-347	Surge Protector. 347 V 10 kA Parallel. 20kA maximum discharge current.
GT-LSP-480	Surge Protector. 480 V 10 kA Parallel. 20kA maximum discharge current.



Fully Compliant with ARRA Buy American Requirements. Made in the USA.

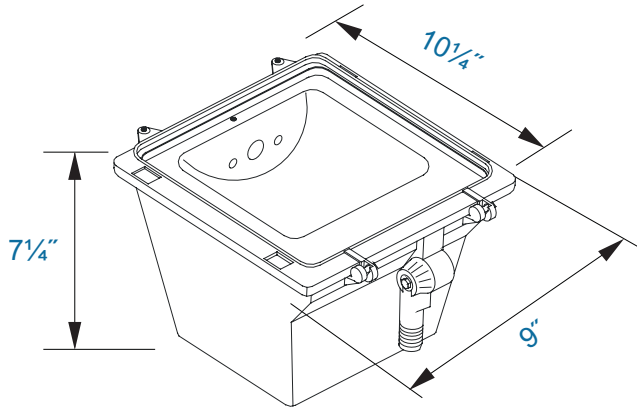


Pricing Information

GTL-AR-FL46 [30W-60W LED Flood Light Fixture]

SR16-6R1

Details



Features



- Life Sync
 - Module Temp Protection
 - Lumen Depreciation Maintenance
- Wattage Selections (on board)
- On Board Programming
 - 5-6-1 Energy Saving Program
 - 0-10V Dimming
- Lumiled Luxeon LED chips
- Active Thermal Management
- Optical Distribution Options
- -40°C to 55°C Nominal Operating Temperature
- 10 Year Warranty

Ordering Code Example:

GTL-AR-FL46 - M21 - HI - SV - GR - NL / FL45GL - IP67

Fixture	Module	Wattage	Voltage		CCT	Lens	Accs	
GTL-AR-FL46	M21	HI (60W)	SV (120V-277V)		GR (5000K) [70CRI]	NL = No Lens	FL45GL	
			HV (347V-480V)		BR (5000K) [80CRI]	10D = 10D Lens	FL45GS	
	M21	MH (50W)	SV (120V-277V)		YW (4100K) [70CRI]	25D = 25D Lens	FL45LG	
			HV (347V-480V)		BL (4000K) [80CRI]	50D = 50D Lens	FLSTK	
	M21	ML (40W)	SV (120V-277V)		RD (3500K) [80CRI]	75D = 75D Lens	FL45WG	
			HV (347V-480V)		PR (3000K) [95CRI]	360D = 360D Lens	FLPTF	
	M21	LO (30W)	SV (120V-277V)		OR (2700K) [80CRI]	360s = 360 Square Lens	IP67 = M21*	
			HV (347V-480V)		GRO (Grow)†	T2 = Type II Lens	GT-LSP-120	
					AMB (Amber)†	T3 = Type III Lens	GT-LSP-240	
					AQU (Aquarium)†		GT-LSP-277	
					RYB (Royal Blue)†		GT-LSP-347	
							GT-LSP-480	

* IP67 upgrade for module + fan (only NL, 10D, 25D, 50D & 75D)

† Upcharges not included in MSRP Price

Please see previous page for accessory information

Please note, prices may change with quantity

Fully Compliant with ARRA Buy American Requirements. Made in the USA.