

GTL-AR-FL46-ECO

[30W-40W LED Flood Light - ECO]

Description and Application:

Die cast aluminum housing and hinged top frame. Tempered clear flat glass lens. Textured Architectural Bronze powder coat finish over a chromate conversion coating.

Specification Features:

- CSA listed housing for wet locations.
- See Solstice GTSOLM21 or ECO Spec Sheet for additional details.
- Adjustable Knuckle with Angle Indicators and ½" NPT Threads
- Custom colors available upon request.
- Specifications subject to change without notice.

4 Wattage Selection of Switch:

GTSOLM21-ECO – 30W, 40W

Input Voltage:

50/60Hz
 Input voltage 120-277VAC 100W
 347-480VAC driver also available.
 24VDC operation without driver.

Warranty Information:

Operating Temperature Range:
 -40°C to 55°C Nominal

Photometrics:
 .ies files available

Optics offered for different distributions.
 (Dist. = 120° w/o secondary optics)

Surge Protector:
 - Required for ALL 347V-480V applications in order to qualify for Warranty
 - Recommended for all outdoor applications

L70 > 150,000Hrs.

Life Sync adjusts module to operate at max performance in any given environment

Warranty: Driver = 5 years
 Solstice Light Engine = 5 years
 Fixture = 10 years



LED Module Compatibility

Product	Output Setting	LED Chip Drive Current [mA]	Rated Lumens [Lm]	Rated Watts [W]
GTSOLM21-ECO x 1	ML	500	3742	40
GTSOLM21-ECO x 1	LO	400	2679	30

Accessories

Catalog #	Description
FL45GL	Tempered Clear Flat Glass Lens
FL45GS	Glare Shield, Aluminum, Bronze Powdercoat Finish (Can be reverse mounted as a back cutoff.)
FL45LG	Clear Polycarbonate Vandal Resistant Guard
FLSTK	Heavy-Duty Ground Stake, Built-in Wiring Compartment
FL45WG	Wire Guard, Stainless Steel Construction
FLPTF	Post Top Fitter, Die Cast Aluminum, Three (3) ½" Coin Plugs
GT-LSP-120	Surge Protector. 120 V 10 kA Parallel. 20kA maximum discharge current.
GT-LSP-240	Surge Protector. 240 V 10 kA Parallel. 20kA maximum discharge current.
GT-LSP-277	Surge Protector. 277 V 10 kA Parallel. 20kA maximum discharge current.
GT-LSP-347	Surge Protector. 347 V 10 kA Parallel. 20kA maximum discharge current.
GT-LSP-480	Surge Protector. 480 V 10 kA Parallel. 20kA maximum discharge current.



Fully Compliant with ARRA Buy American Requirements. Made in the USA.



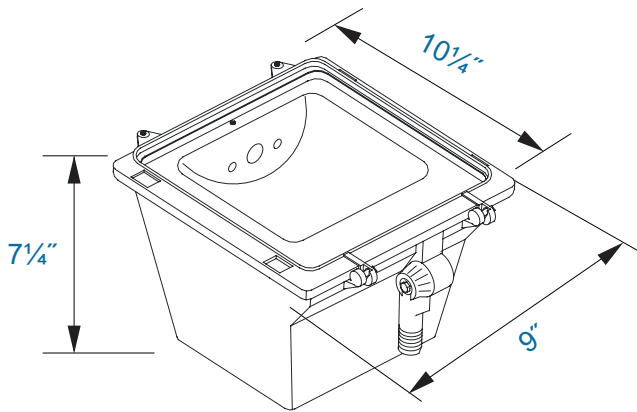
Pricing Information

SR16-6R1

GTL-AR-FL46-ECO

[30W-40W LED Flood Light - ECO]

Details



Features



- Life Sync
- Module Temp Protection
- Lumen Depreciation Maintenance
- Wattage Selections (on board)
- On Board Programming
- 5-6-1 Energy Saving Program
- 0-10V Dimming
- Lumiled Luxeon LED chips
- Optical Distribution Options
- -40°C to 55°C Nominal Operating Temperature
- 5 Year Warranty

Ordering Code Example:

GTL-AR-FL46 - M21-ECO - ML - SV - GR - NL / GT-LSP-120

Fixture	Module	Wattage	Voltage		CCT	Lens	Accs	
GTL-AR-FL46	M21-ECO	ML (40W)	SV (120V-277V)		GR (5000K) [70CRI]	NL = No Lens	FL45GL	
			HV (347V-480V)*		BR (5000K) [80CRI]	10D = 10D Lens	FL45GS	
	M21-ECO	LO (30W)	SV (120V-277V)		YW (4100K) [70CRI]	25D = 25D Lens	FL45LG	
			HV (347V-480V)*		BL (4000K) [80CRI]	50D = 50D Lens	FLSTK	
					RD (3500K) [80CRI]	75D = 75D Lens	FL45WG	
					PR (3000K) [95CRI]	360D = 360D Lens	FLPTF	
					OR (2700K) [80CRI]	360s = 360 Square Lens	GT-LSP-120	
						T2 = Type II Lens	GT-LSP-240	
						T3 = Type III Lens	GT-LSP-277	
							GT-LSP-347	
							GT-LSP-480	

*High voltage drivers require remote mounting.

Please see previous page for accessory information

Please note, prices may change with quantity

Fully Compliant with ARRA Buy American Requirements. Made in the USA.