

GTL-HB-EB3022

[30W-360W LED Aluminum High Bay Fixture 22"]



LED Module Compatibility

Product	Output Setting	LED Chip Drive Current [mA]	Rated Lumens [Lm]	Rated Watts [W]
GTSOL112 x 1	HO	2983	33260	360
GTSOL112 x 1	HI	2321	28610	300
GTSOL112 x 1	MH	2120	24290	260
GTSOL112 x 1	ML	1670	19570	200
GTSOL5498 x 4	HO	900	52656	540
GTSOL5498 x 4	HI	700	37788	380
GTSOL5498 x 4	MH	525	35996	340
GTSOL5498 x 4	ML	350	31256	300
GTSOL5498 x 3	HO	900	39492	405
GTSOL5498 x 3	HI	700	28341	285
GTSOL5498 x 3	MH	525	26997	255
GTSOL5498 x 3	ML	350	23442	225
GTSOL5498 x 2	HO	900	26328	270
GTSOL5498 x 2	HI	700	18894	190
GTSOL5498 x 2	MH	525	17998	170
GTSOL5498 x 2	ML	350	15628	150
GTSOL5498 x 1	HO	900	13164	135
GTSOL5498 x 1	HI	700	9447	95
GTSOL5498 x 1	MH	525	8999	85
GTSOL5498 x 1	ML	350	7814	75
GTSOLM21 x 1	HI	700	5910	60
GTSOLM21 x 1	MH	600	4594	50
GTSOLM21 x 1	ML	500	3742	40
GTSOLM21 x 1	LO	400	2679	30

Description and Application:

High Bay – Aluminum housing.
Includes driver housing and hook.
Additional options for wattages include up to 540W.
(ask about additional wattage/pricing options)

Specification Features:

- Precision LED setup available for maximum photometric efficiency and optimum light distribution.
- LED wattages from 30 - 360 Watts.
- Replaces up to 1000 Watt HID bulbs, using 80% less energy!
- Specifications subject to change without notice.

Input Voltage:

120-277VAC driver input.
Also available in 347/480 VAC driver input.

Additional Information:

Operating Temperature Range: -40°C to 55°C Nominal
Photometrics: .ies files available
Surge Protector: - Required for ALL 347V-480V applications in order to qualify for Warranty - Recommended for all outdoor applications
Warranty: Driver = 5 years
Solstice Light Engine = 10 years
Fixture = 10 years
Optics offered for different distributions. (Dist. = 120° w/o secondary optics)
L70 > 150,000Hrs.
Life Sync adjusts module to operate at max performance in any given environment

Accessories

Catalog #	Description
HBGL22	22" Flat Glass
HBCB22	22" Clampband
HBAR22WG	Wire Guard for 22" Reflectors
CPMH1	Malleable Hook with 3/4" NPS threads
CPCS1633	Cord Set, Blunt Cut, 3', 16/3 600V STW Cord
CPCS1633P110	Cord Set, 3-Prong Polarized, 3' Cord
CPCS1633P120	Cord Set 120v Twist-Lock L5-15P Plug, 3' Cord
CPCS1633P240	Cord Set 240v Twist-Lock L6-15P Plug, 3' Cord
CPCS1633P277	Cord Set 277v Twist-Lock L7-15P Plug, 3' Cord
IP67	IP67 Rated LED Engine
GT-LSP-120	Surge Protector. 120 V 10 kA Parallel. 20kA maximum discharge current.
GT-LSP-240	Surge Protector. 240 V 10 kA Parallel. 20kA maximum discharge current.
GT-LSP-277	Surge Protector. 277 V 10 kA Parallel. 20kA maximum discharge current.
GT-LSP-347	Surge Protector. 347 V 10 kA Parallel. 20kA maximum discharge current.
GT-LSP-480	Surge Protector. 480 V 10 kA Parallel. 20kA maximum discharge current.



Fully Compliant with ARRA Buy American Requirements. Made in the USA.

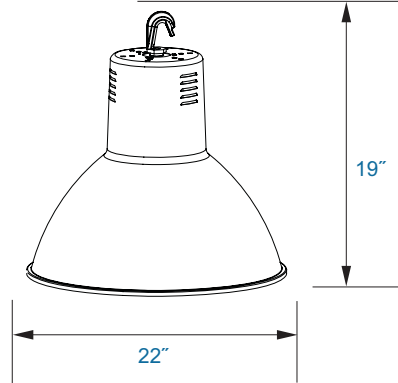


GTL-HB-EB3022

SR16-6R1

[30W-360W LED Aluminum High Bay Fixture 22"]

Details



Features



- Life Sync
- Module Temp Protection
- Lumen Depreciation Maintenance
- Wattage Selections (on board)
- On Board Programming
- 5-6-1 Energy Saving Program
- 0-10V Dimming
- Lumiled Luxeon LED chips
- Active Thermal Management
- Optical Distribution Options
- -40°C to 55°C Nominal Operating Temperature
- 10 Year Warranty

Ordering Code Example:

GTL-HB-EB3022 - 112 - HI - HV - BL - 360s / GT-LSP-480

Fixture	Module	Wattage	Voltage		CCT	Lens	Accs	
GTL-HB-EB3022	112**	HO (360W)	SV (120V-277V)		GR (5000K) [70CRI]	NL = No Lens	HBGL22	
			HV (347V-480V)		BR (5000K) [80CRI]	10D = 10D Lens	HBCB22	
	112**	HI (300W)	SV (120V-277V)		YW (4100K) [70CRI]	25D = 25D Lens	HBAR22WG	
			HV (347V-480V)		BL (4000K) [80CRI]	50D = 50D Lens	CPMH1	
	112**	MH (260W)	SV (120V-277V)		RD (3500K) [80CRI]	75D = 75D Lens	CPCS1633	
			HV (347V-480V)		PR (3000K) [95CRI]	360D = 360D Lens	CPCS1633P110	
	112**	ML (200W)	SV (120V-277V)		OR (2700K) [80CRI]	360s = 360 Square Lens	CPCS1633P120	
			HV (347V-480V)		GRO (Grow)†	T2 = Type II Lens	CPCS1633P240	
	5498	HO (135W)	SV (120V-277V)		AMB (Amber)†	T3 = Type III Lens	CPCS1633P277	
			HV (347V-480V)		AQU (Aquarium)†		IP67 = M21	
	5498	HI (95W)	SV (120V-277V)		RYB (Royal Blue)†		IP67 = 5498	
			HV (347V-480V)				IP67 = 112*	
	5498	MH (85W)	SV (120V-277V)				GT-LSP-120	
			HV (347V-480V)				GT-LSP-240	
	5498	ML (75W)	SV (120V-277V)				GT-LSP-277	
			HV (347V-480V)				GT-LSP-347	
	M21	HI (60W)	SV (120V-277V)				GT-LSP-480	
			HV (347V-480V)					
	M21	MH (50W)	SV (120V-277V)					
			HV (347V-480V)					
	M21	ML (40W)	SV (120V-277V)					
			HV (347V-480V)					
	M21	LO (30W)	SV (120V-277V)					
			HV (347V-480V)					

* IP67 upgrade for module + fan (only NL, 10D, 25D, 50D & 75D)

** 112 Module only offered in BR, BL & OR CCT's

† Upcharges not included in MSRP Price

Please see previous page for accessory information

Please note, prices may change with quantity

Fully Compliant with ARRA Buy American Requirements. Made in the USA.