

GTL-AR-AR860-BNZ

[30W-135W LED Area Fixture]


Description:

Ideal for building, yards, parks, signs, sports field, parking lots and other general applications where floodlighting may come into use.

Fixture Features:

- Heavy duty aluminum housing with powder coating finished
- Heat and impact resistant flat clear tempered glass
- Weatherproof and durable silicone rubber gaskets

Retro Features:

- Designed for either down lighting and up lighting
- Internal louver for directing lights
- Quick mount bracket included

Additional Information:

Operating Temperature Range:
-40°C to 55°C Nominal

Photometrics:
.ies files available

Optics offered for different distributions.
(Dist. = 120° w/o secondary optics)

Surge Protector:
- Required for ALL 347V-480V applications in order to qualify for Warranty
- Recommended for all outdoor applications

L70 > 150,000Hrs.

Warranty: Driver = 5 years
Solstice Light Engine = 10 years
Fixture = 10 years

Life Sync adjusts module to operate at max performance in any given environment

LED Module Compatibility

Product	Output Setting	LED Chip Drive Current [mA]	Rated Lumens [Lm]	Rated Watts [W]
GTSOL5498 x 1	HO	900	13164	135
GTSOL5498 x 1	HI	700	9447	95
GTSOL5498 x 1	MH	525	8999	85
GTSOL5498 x 1	ML	350	7814	75
GTSOLM21 x 1	HI	700	5910	60
GTSOLM21 x 1	MH	600	4594	50
GTSOLM21 x 1	ML	500	3742	40
GTSOLM21 x 1	LO	400	2679	30

Accessories

Catalog #	Description
E-PHC-0120M-USA	DUSK TO DARK TWIST AND LOCK PHOTOCELL
E-REC-R001 BK	RECEPTACLE FOR PHOTOCELL
AR-ARM-860	7" ARM
IP67	IP67 Rated LED Engine
GT-LSP-120	Surge Protector. 120 V 10 kA Parallel. 20kA maximum discharge current.
GT-LSP-240	Surge Protector. 240 V 10 kA Parallel. 20kA maximum discharge current.
GT-LSP-277	Surge Protector. 277 V 10 kA Parallel. 20kA maximum discharge current.
GT-LSP-347	Surge Protector. 347 V 10 kA Parallel. 20kA maximum discharge current.
GT-LSP-480	Surge Protector. 480 V 10 kA Parallel. 20kA maximum discharge current.


AR-ARM-860


Fully Compliant with ARRA Buy American Requirements. Made in the USA.

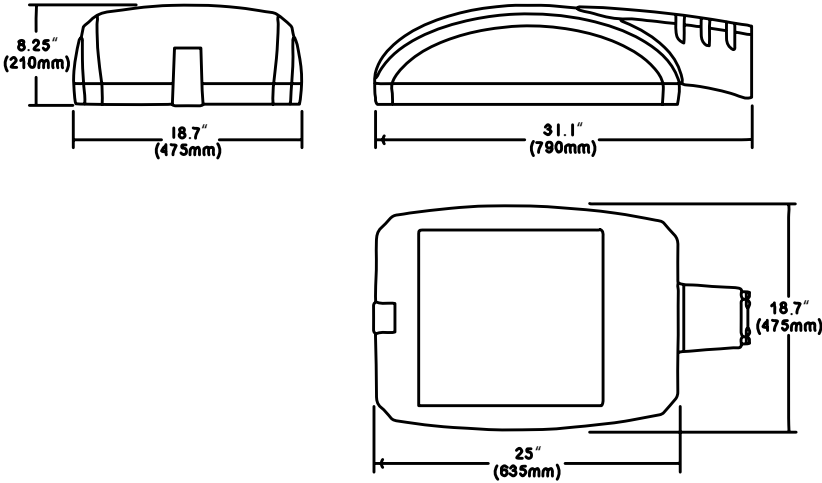


Pricing Information

GTL-AR-AR860-BNZ [30W-135W LED Area Fixture]

SR16-6R1

Details



Features



- Life Sync
- Module Temp Protection
- Lumen Depreciation Maintenance
- Wattage Selections (on board)
- On Board Programming
- 5-6-1 Energy Saving Program
- 0-10V Dimming
- Lumiled Luxeon LED chips
- Active Thermal Management
- Optical Distribution Options
- -40°C to 55°C Nominal Operating Temperature
- 10 Year Warranty

Ordering Code Example:

GTL-AR-AR860-BNZ - 5498 - HO - SV - YW - NL / -----

Fixture	Module	Wattage	Voltage		CCT	Lens	Accs	
GTL-AR-AR860-BNZ	5498	HO (135W)	SV (120V-277V)		GR (5000K) [70CRI]	NL = No Lens	E-PHC-0120M-USA	
			HV (347V-480V)		BR (5000K) [80CRI]	10D = 10D Lens	E-REC-R001 BK	
	5498	HI (95W)	SV (120V-277V)		YW (4100K) [70CRI]	25D = 25D Lens	AR-ARM-860	
			HV (347V-480V)		BL (4000K) [80CRI]	50D = 50D Lens	IP67 = M21*	
	5498	MH (85W)	SV (120V-277V)		RD (3500K) [80CRI]	75D = 75D Lens	IP67 = 5498*	
			HV (347V-480V)		PR (3000K) [95CRI]	360D = 360D Lens	GT-LSP-120	
	5498	ML (75W)	SV (120V-277V)		OR (2700K) [80CRI]	360s = 360 Square Lens	GT-LSP-240	
			HV (347V-480V)		GRO (Grow)†	T2 = Type II Lens	GT-LSP-277	
	M21	HI (60W)	SV (120V-277V)		AMB (Amber)†	T3 = Type III Lens	GT-LSP-347	
			HV (347V-480V)		AQU (Aquarium)†		GT-LSP-480	
	M21	MH (50W)	SV (120V-277V)		RYB (Royal Blue)†			
			HV (347V-480V)					
	M21	ML (40W)	SV (120V-277V)					
			HV (347V-480V)					
	M21	LO (30W)	SV (120V-277V)					
			HV (347V-480V)					

* IP67 upgrade for module + fan (only NL, 10D, 25D, 50D & 75D)

† Upcharges not included in MSRP Price

Please see previous page for accessory information

Please note, prices may change with quantity

Fully Compliant with ARRA Buy American Requirements. Made in the USA.