

# GTL-AR-AR800

## [30W-135W LED Area Fixture]

**Description:**

Ideal for building, yards, parks, signs, sports field, parking lots and other general applications where floodlighting may come into use.

**Physical Features:**

- Heavy duty aluminum housing with powder coating finished
- Heat and impact resistant flat clear tempered glass
- Weatherproof and durable silicone rubber gaskets

**Fixtures Features:**

- Designed for either down lighting or up lighting
- Internal louver for directing lights
- Quick mount bracket included

**Additional Information:**

Operating Temperature Range:  
-40°C to 55°C Nominal

Photometrics:  
.ies files available

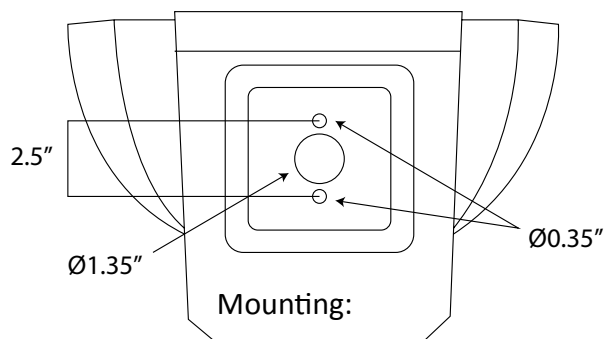
Optics offered for different distributions.  
(Dist. = 120° w/o secondary optics)

Surge Protector:  
- Required for ALL 347V-480V applications in order to qualify for Warranty  
- Recommended for all outdoor applications

L70 > 150,000Hrs.

Life Sync adjusts module to operate at max performance in any given environment

Warranty: Driver = 5 years  
Solstice Light Engine = 10 years  
Fixture = 10 years


**LED Module Compatibility**

Product	Output Setting	LED Chip Drive Current [mA]	Rated Lumens [Lm]	Rated Watts [W]
GTSOL5498 x 1	HO	900	13164	135
GTSOL5498 x 1	HI	700	9447	95
GTSOL5498 x 1	MH	525	8999	85
GTSOL5498 x 1	ML	350	7814	75
GTSOLM21 x 1	HI	700	5910	60
GTSOLM21 x 1	MH	600	4594	50
GTSOLM21 x 1	ML	500	3742	40
GTSOLM21 x 1	LO	400	2679	30

**Accessories**

Catalog #	Description
<b>IP67</b>	IP67 Rated LED Engine
<b>GT-LSP-120</b>	Surge Protector. 120 V 10 kA Parallel. 20kA maximum discharge current.
<b>GT-LSP-240</b>	Surge Protector. 240 V 10 kA Parallel. 20kA maximum discharge current.
<b>GT-LSP-277</b>	Surge Protector. 277 V 10 kA Parallel. 20kA maximum discharge current.
<b>GT-LSP-347</b>	Surge Protector. 347 V 10 kA Parallel. 20kA maximum discharge current.
<b>GT-LSP-480</b>	Surge Protector. 480 V 10 kA Parallel. 20kA maximum discharge current.



**Fully Compliant with ARRA Buy American Requirements. Made in the USA.**

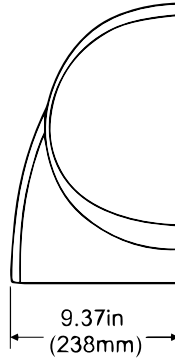
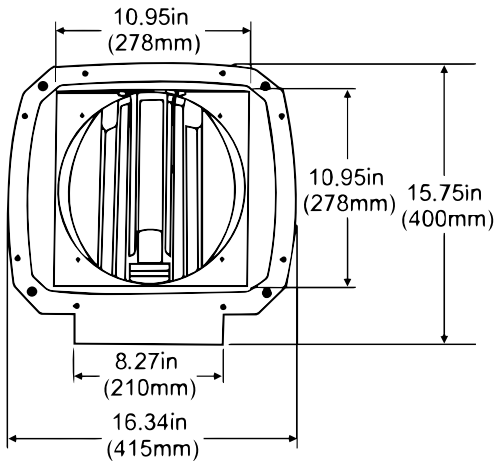


# Pricing Information

## GTL-AR-AR800 [30W-135W LED Area Fixture]

SR16-6R1

### Details



### Features



- Life Sync
- Module Temp Protection
- Lumen Depreciation Maintenance
- Wattage Selections (on board)
- On Board Programming
  - 5-6-1 Energy Saving Program
  - 0-10V Dimming
- Lumiled Luxeon LED chips
- Active Thermal Management
- Optical Distribution Options
- -40°C to 55°C Nominal Operating Temperature
- 10 Year Warranty

Ordering Code Example:

GTL-AR-AR800 - 5498 - ML -HV - BR - NL / GT-LSP-480

Fixture	Module	Wattage	Voltage		CCT	Lens	Accs	
GTL-AR-AR800	5498	HO (135W)	SV (120V-277V)		GR (5000K) [70CRI]	NL = No Lens	IP67 = M21*	
			HV (347V-480V)		BR (5000K) [80CRI]	10D = 10D Lens	IP67 = 5498*	
	5498	HI (95W)	SV (120V-277V)		YW (4100K) [70CRI]	25D = 25D Lens	GT-LSP-120	
			HV (347V-480V)		BL (4000K) [80CRI]	50D = 50D Lens	GT-LSP-240	
	5498	MH (85W)	SV (120V-277V)		RD (3500K) [80CRI]	75D = 75D Lens	GT-LSP-277	
			HV (347V-480V)		PR (3000K) [95CRI]	360D = 360D Lens	GT-LSP-347	
	5498	ML (75W)	SV (120V-277V)		OR (2700K) [80CRI]	360s = 360 Square Lens	GT-LSP-480	
			HV (347V-480V)		GRO (Grow)†	T2 = Type II Lens		
	M21	HI (60W)	SV (120V-277V)		AMB (Amber)†	T3 = Type III Lens		
			HV (347V-480V)		AQU (Aquarium)†			
	M21	MH (50W)	SV (120V-277V)		RYB (Royal Blue)†			
			HV (347V-480V)					
	M21	ML (40W)	SV (120V-277V)					
			HV (347V-480V)					
	M21	LO (30W)	SV (120V-277V)					
			HV (347V-480V)					

\* IP67 upgrade for module + fan (only NL, 10D, 25D, 50D & 75D)

+ Upcharges not included in MSRP Price

Please see previous page for accessory information

Please note, prices may change with quantity

**Fully Compliant with ARRA Buy American Requirements. Made in the USA.**