

GTL-AR-INDY-RS [30W-60W LED Roadway Fixture]



LED Module Compatibility

Product	Output Setting	LED Chip Drive Current [mA]	Rated Lumens [Lm]	Rated Watts [W]
GTSOLM21-ECO x 1	LO	400	2679	30
GTSOLM21-ECO x 1	ML	500	3742	40
GTSOLM21-ECO x 1	MH	600	4594	50
GTSOLM21-ECO x 1	HI	700	5910	60

Accessories

Catalog #	Description
GT-LSP-120	Surge Protector. 120 V 10 kA Parallel. 20kA maximum discharge current.
GT-LSP-240	Surge Protector. 240 V 10 kA Parallel. 20kA maximum discharge current.
GT-LSP-277	Surge Protector. 277 V 10 kA Parallel. 20kA maximum discharge current.
GT-LSP-347	Surge Protector. 347 V 10 kA Parallel. 20kA maximum discharge current.
GT-LSP-480	Surge Protector. 480 V 10 kA Parallel. 20kA maximum discharge current.

Description:

Designed to meet recommended luminance and illuminance requirements for local and major roadway / street classifications.

Features and Ratings:

- Our Thermal Management System incorporates a sleek and robust heatsink to ensure maximum heat transfer and long LED life. Smart Technology provides Lumen Depreciation Circuitry in order to minimize light loss regardless of geographical location.
- Die Cast Aluminum Alloy, Anti-Corrosion Treated
- 304 Stainless Steel screws
- Epoxy Powder Coated
- PG7/PG9 Waterproof Connectors
- 4mm Tempered Cover Glass
- Specular Reflector
- Efficacy = 93.3 Lm/W
- Solstice LED Engines UL/cULus listed
- IP67 rated optical enclosure per ANSI C136.25-2009
- Upward Light Output Ratio (ULOR) = 0
- May be used with solar applications without driver.
- Fits poles up to 2"

Electrical:

- 120-277 volt and 347-480 volt available
- System power factor is >90% and THD <20%
- Class "A" audible sound rating
- Integral surge protection
- Optional high capability surge protection
- Photoelectric sensors (PE) available for all voltages

Roadway Distribution:

- Solstice Light Engine consisting of multiple optical distribution options
- Utilizes Phillips High Brightness T LED's

Additional Information:

Operating Temperature Range:
-40°C to 55°C Nominal

Photometrics:
.ies files available

Optics offered for different distributions.
(Dist. = 120° w/o secondary optics)

Surge Protector:
- Required for ALL 347V-480V applications in order to qualify for Warranty
- Recommended for all outdoor applications

L70 > 150,000Hrs.

Life Sync adjusts module to operate at max performance in any given environment

Warranty: Driver = 5 years
Solstice Light Engine = 5 years
Fixture = 10 years

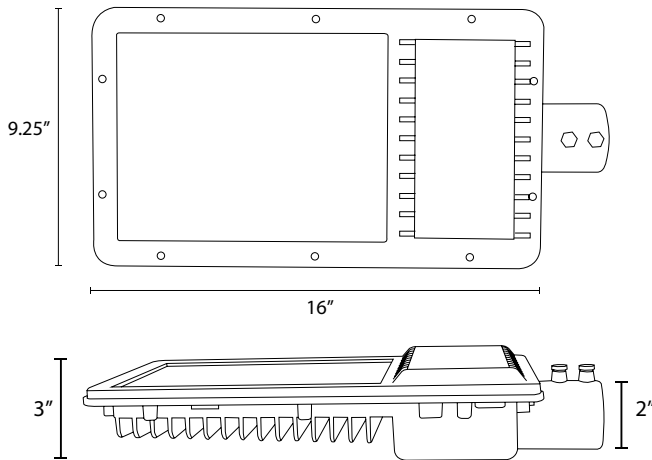




Pricing Information

GTL-AR-INDY-RS [30W-60W LED Roadway Fixture]

Details



Features



- Life Sync
 - Module Temp Protection
 - Lumen Depreciation Maintenance
- Wattage Selections (on board)
- On Board Programming
 - 5-6-1 Energy Saving Program
 - 0-10V Dimming
- Lumiled Luxeon LED chips
- Optical Distribution Options
- -45°C to 55°C Nominal Operating Temperature
- 5 Year Warranty

Ordering Code Example:

GTL-AR-INDY-RS - M21 - HI - SV - YW - NL / -----

Fixture	Module	Wattage	Voltage		CCT	Lens	Accs	
GTL-AR-INDY-RS	M21	HI (60W)	SV (120V-277V)		GR (5000K) [70CRI]	NL = No Lens	GT-LSP-120	
			HV (347V-480V)		BR (5000K) [80CRI]	10D = 10D Lens	GT-LSP-240	
	M21	MH (50W)	SV (120V-277V)		YW (4100K) [70CRI]	25D = 25D Lens	GT-LSP-277	
			HV (347V-480V)		BL (4000K) [80CRI]	50D = 50D Lens	GT-LSP-347	
	M21	ML (40W)	SV (120V-277V)		RD (3500K) [80CRI]	75D = 75D Lens	GT-LSP-480	
			HV (347V-480V)		PR (3000K) [95CRI]	360D = 360D Lens		
	M21	LO (30W)	SV (120V-277V)		OR (2700K) [80CRI]	360s = 360 Square Lens		
						T2 = Type II Lens		
			HV (347V-480V)			T3 = Type III Lens		

Please see previous page for accessory information
Please note, prices may change with quantity