

GTL-AR-AD40 [30W-135W LED Area Fixture]

Description and Application:

Large die cast aluminum area/wall light with front frame & ballast box, powder coat finish, tempered glass lens and Easy-Hang wall bracket. Housing swivels from 0° to 30° and includes angle indicators at adjustment points. Optional pole mount brackets for one to four fixtures available.

Specification Features:

- CSA listed housing for wet locations.
- See Solstice or Solstice Mini Spec Sheets for additional details.
- Custom colors available upon request.
- Specifications subject to change without notice.

Mounting Options:

Easy-Hang wall bracket included-allows one-person mounting! Pole mount using extruded mounting arms or slipfitter.

Housing:

Die cast housing, front frame & ballast box with a powder coat finish over a chromate conversion coating. Housing swivels from 0° to 30°, & includes angle indicators at adjustment points. Hinged front frame and latch for tool-less entry for relamping

Additional Information:

Operating Temperature Range:
-40°C to 55°C Nominal

Photometrics:
.ies files available

Optics offered for different distributions.
(Dist. = 120° w/o secondary optics)

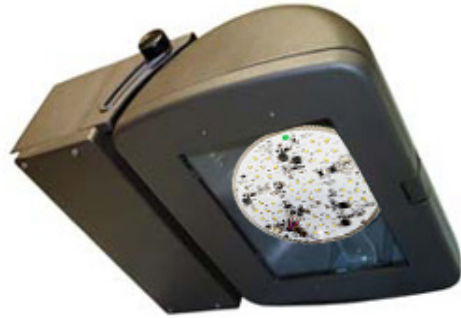
Surge Protector:
- Required for ALL 347V-480V applications in order to qualify for Warranty
- Recommended for all outdoor applications

L70 > 150,000Hrs.

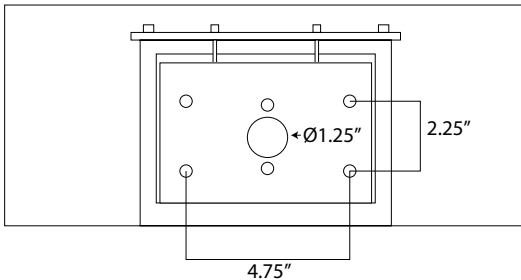
Life Sync adjusts module to operate at max performance in any given environment

Warranty: Driver = 5 years
Solstice Light Engine = 10 years
Fixture = 10 years

Additional Options:



Mounting:



LED Module Compatibility

Product	Output Setting	LED Chip Drive Current [mA]	Rated Lumens [Lm]	Rated Watts [W]
GTSOL5498 x 1	HO	900	13164	135
GTSOL5498 x 1	HI	700	9447	95
GTSOL5498 x 1	MH	525	8999	85
GTSOL5498 x 1	ML	350	7814	75
GTSOLM21 x 1	HI	700	5910	60
GTSOLM21 x 1	MH	600	4594	50
GTSOLM21 x 1	ML	500	3742	40
GTSOLM21 x 1	LO	400	2679	30

Catalog #	Description
FL73SFX	External Mount Slipfitter, Die Cast with Hardware & Angle Indicator
FLEM6*	6" Aluminum Extruded Mounting Arm, Bronze, Gasket & Hardware. Fits Square Poles.
FLEM10	10" Aluminum Extruded Mounting Arm, Bronze, Gasket & Hardware. Fits Square Poles.
FLEM12*	12" Aluminum Extruded Mounting Arm, Bronze, Gasket & Hardware. Fits Square Poles.
PTASUNV	Square Pole Tenon Adaptor Allows Installation of up to 4 Fixtures, Fits 2 3/8" Diameter Vertical Tenon, Bronze Finish. Use FLEMs.
FLEMWM	Heavy-duty Steel Wall Bracket for FLEM Mounting Arms, Bronze Powdercoat Finish.
IP67	IP67 Rated LED Engine
GT-LSP-120	Surge Protector. 120 V 10 kA Parallel. 20kA maximum discharge current.
GT-LSP-240	Surge Protector. 240 V 10 kA Parallel. 20kA maximum discharge current.
GT-LSP-277	Surge Protector. 277 V 10 kA Parallel. 20kA maximum discharge current.
GT-LSP-347	Surge Protector. 347 V 10 kA Parallel. 20kA maximum discharge current.
GT-LSP-480	Surge Protector. 480 V 10 kA Parallel. 20kA maximum discharge current.

*Add R for Round Pole Mounting, Fits 4" Diameter Poles.



Fully Compliant with ARRA Buy American Requirements. Made in the USA.

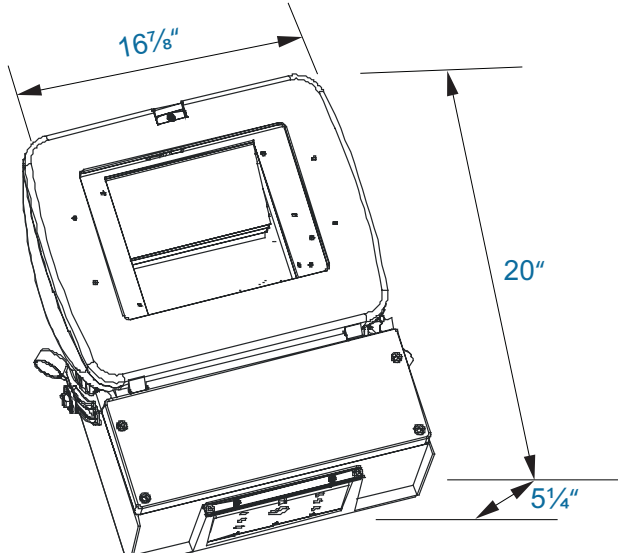


Pricing Information

GTL-AR-AD40 [30W-135W LED Area Fixture]

SR16-6R1

Details



Features



- Life Sync
 - Module Temp Protection
 - Lumen Depreciation Maintenance
- Wattage Selections (on board)
- On Board Programming
 - 5-6-1 Energy Saving Program
 - 0-10V Dimming
- Lumiled Luxeon LED chips
- Active Thermal Management
- Optical Distribution Options
- -40°C to 55°C Nominal Operating Temperature
- 10 Year Warranty

Ordering Code Example:

GTL-AR-AD40 - 5498 - HO - SV - BR - NL / IP67

Fixture	Module	Wattage	Voltage		CCT	Lens	Accs	
GTL-AR-AD40	5498	HO (135W)	SV (120V-277V)		GR (5000K) [70CRI]	NL = No Lens	FL73SFX	
			HV (347V-480V)		BR (5000K) [80CRI]	10D = 10D Lens	FLEM6	
	5498	HI (95W)	SV (120V-277V)		YW (4100K) [70CRI]	25D = 25D Lens	FLEM10	
			HV (347V-480V)		BL (4000K) [80CRI]	50D = 50D Lens	FLEM12	
	5498	MH (85W)	SV (120V-277V)		RD (3500K) [80CRI]	75D = 75D Lens	PTASUNV	
			HV (347V-480V)		PR (3000K) [95CRI]	360D = 360D Lens	FLEMWM	
	5498	ML (75W)	SV (120V-277V)		OR (2700K) [80CRI]	360s = 360 Square Lens	IP67 = M21*	
			HV (347V-480V)		GRO (Grow)†	T2 = Type II Lens	IP67 = 5498*	
	M21	HI (60W)	SV (120V-277V)		AMB (Amber)†	T3 = Type III Lens	GT-LSP-120	
			HV (347V-480V)		AQU (Aquarium)†		GT-LSP-240	
	M21	MH (50W)	SV (120V-277V)		RYB (Royal Blue)†		GT-LSP-277	
			HV (347V-480V)				GT-LSP-347	
	M21	ML (40W)	SV (120V-277V)				GT-LSP-480	
			HV (347V-480V)					
	M21	LO (30W)	SV (120V-277V)					
			HV (347V-480V)					

* IP67 upgrade for module + fan (only NL, 10D, 25D, 50D & 75D)
+ Upcharges not included in MSRP Price

Please see previous page for accessory information
Please note, prices may change with quantity

Fully Compliant with ARRA Buy American Requirements. Made in the USA.