

## GTR-AR-112-MH-SV-BR-NL-UVSB (LARGE)



Minimum Fixture Dimensions: 22.5" x 22.5" x 9"



### Description and Application:

Universal LED Retrofit Kit for Large Outdoor Pole/Arm Mounted Luminaires.

### Mounting Option:

- UVSB - (LARGE) = Universal Shoe Box Plate
- For large fixtures with minimum dimensions 22.5" x 22.5" x 9"

### Driver Voltage/Wattage:

Two Each: 120-277vAC 192w input / 24vDC output

### Additional Information:

Warranty:  
Solstice Light Engine - 10 year warranty  
Driver - 5 year warranty

Surge Protector:  
- Recommended for all outdoor applications

L70 > 100,000hrs.  
TM21 - L70 > 60,000hrs.

**\*\*\*NOTE\*\*\*** For Fixture or Plate sizes less than the minimum dimensions shown here Please refer to Product Spec Sheet with Model number GTR-AR-112-ML-SV-BR-NL-PLAT

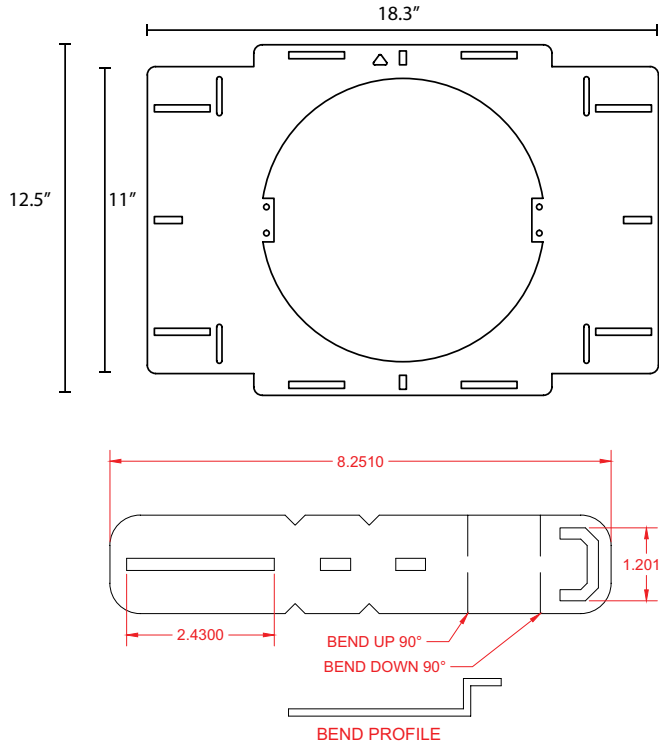


Fully Compliant with ARRA Buy American Requirements. Made in the USA.



**GTR-AR-112-MH-SV-BR-NL-UVSB (LARGE)**

**Details**



Minimum Fixture Dimensions:  
18.3" x 12.5"

Maximum Fixture Dimensions:  
33.8" x 28"

**\*\*\*NOTE\*\*\*** For Fixture or Plate sizes less than the minimum dimensions shown here Please refer to Product Spec Sheet with Model number GTR-AR-112-ML-SV-BR-NL-PLAT

Ordering Code Example:

GTR-AR - 112 - MH - SV - BR - NL - UVSB-LARGE

GTR-AR	-	112	-	MH	-	SV	-	BR	-	NL	-	UVSB-LARGE
Fixture		LED Model #		Wattage Output		Diver Input Voltage		Kelvin		Optics		Mounting Method
GTR-AR		112		MH = (260W)		SV = 120-277V		BR = 5000K (80CRI)		NL = No Lens		UVSB - LARGE

**Fully Compliant with ARRA Buy American Requirements. Made in the USA.**