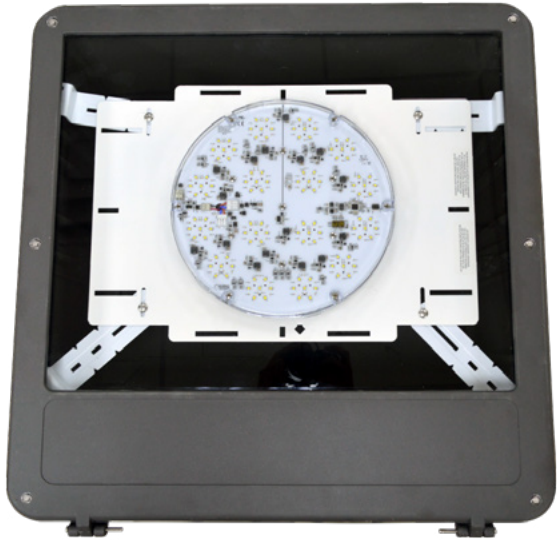


GTR-AR-112-H,-V- -NL-hs (P)



Description and Application:

Universal D retro t it for arge Outdoor ole/Arm Mo
uminaires

Mounting Option:

- UVSB - (LARGE) = Universal Shoe Box Plate

Driver Voltage/Wattage:

o ach: Vac input / vD output

Additional Information:

Warranty: Solstice light engine year warranty
Surge protector: recommended for all outdoor applications
Driver year warranty

M hrs hrs



For Fixture or late si es less than the minimum dimensions sho n here lease refer to roducts (UVSB)

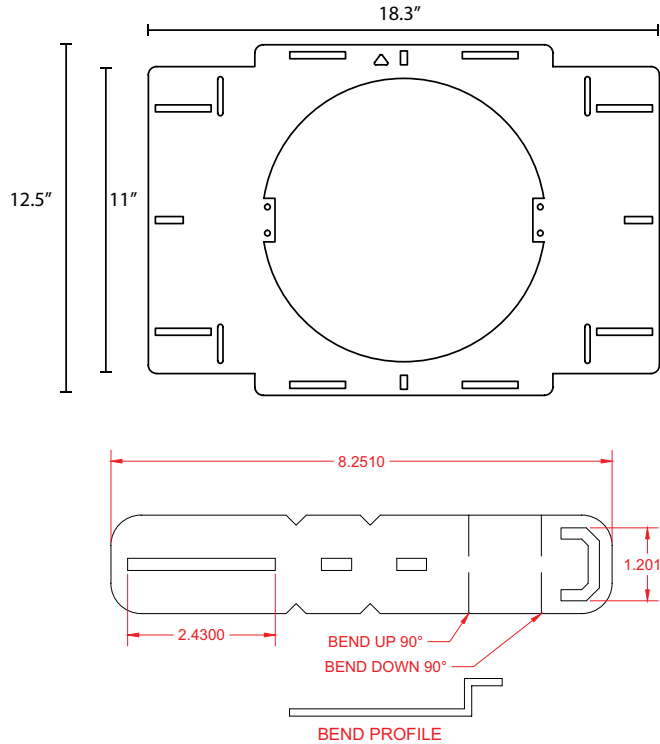


Fully Compliant with ARRA Buy American Requirements. Made in the USA.



GTR-AR-112-HI-HV-YL-NL-UVSB (LARGE)

Details



Minimum Fixture Dimensions:
18.3" x 12.5"

Maximum Fixture Dimensions:
33.8" x 28"

*****NOTE***** For Fixture or Plate sizes less than the minimum dimensions shown here Please refer to Product Spec Sheet with Model number GTR-AR-112-ML-SV-BR-NL-{UVSB}

Ordering Code Example:

GTR-AR - 112 - HI - HV - YL - NL - UVSB - LARGE

GTR-AR	-	112	-	HI	-	HV	-	YL	-	NL	-	UVSB-LARGE
Fixture		LED Model #		Wattage Output		Diver Input Voltage		Kelvin		Optics		Mounting Method
GTR-AR		112		HI = (300W)		HV = 480V		YL = 5000K (70CRI)		NL = No Lens		UVSB-LARGE

Fully Compliant with ARRA Buy American Requirements. Made in the USA.