



### Description and Application:

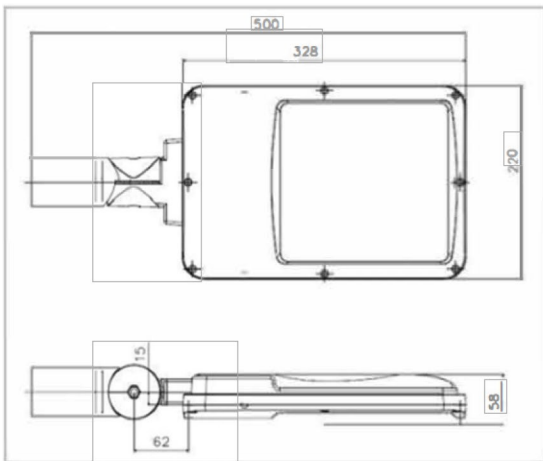
Designed to meet recommended luminance and illuminance requirements for local and major roadway / street classifications.

#### GTL-RW-M21-BL

Light Output: **4,116 lm**  
 Wattage: **57.37w**  
 CCT: **4008k (R9 value =8.9)**  
 Efficacy: **71.74 lm/w**  
 CRI: **80.4**  
 PF: **0.932**  
 THD: **11.61%**  
 Zonal Lm 0-90° **99.9%**  
 Zonal Lm 80-90° **0.3%**  
 Nominal Wattage Setting: **60w**  
 Driver=120-277vAC in, 24vDC out  
 TM21=60K / L70=100K+

### Warranty Information:

- Fixture - 10 year warranty
- Driver - 5 year warranty
- Solstice Light Engine - 10 year warranty



Fully Compliant with ARRA Buy American Requirements. Made in the USA.