

Description and Application:

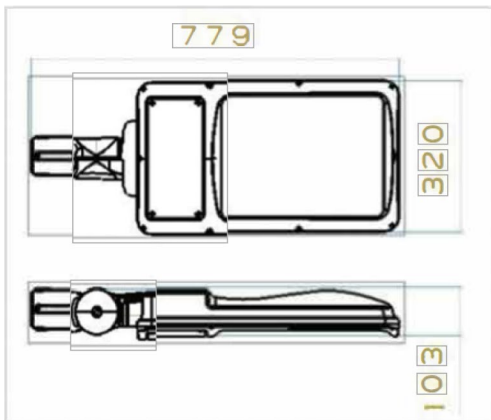
Designed to meet recommended luminance and illuminance requirements for local and major roadway / street classifications.

GTL-RW-5498-2X-BL

Light Output: **12,900 lm**
 Wattage: **180.78w**
 CCT: **4117k (R9 value =8.2)**
 Efficacy: **71.36 lm/w**
 CRI: **80.7**
 PF: **0.958**
 THD: **10.32%**
 Zonal Lm 0-90° **99.8%**
 Zonal Lm 80-90° **0.3%**
 Nominal Wattage Setting: **190w**
 Driver=120-277vAC in, 24vDC out
 TM21=60K / L70=100K+

Warranty Information:

- Fixture - 10 year warranty
- Driver - 5 year warranty
- Solstice Light Engine - 10 year warranty



Fully Compliant with ARRA Buy American Requirements. Made in the USA.