

# GTL-RW-5498-1X-BL

ROADWAY LUMINAIRE-95W- CCT=4000K

## Description and Application:

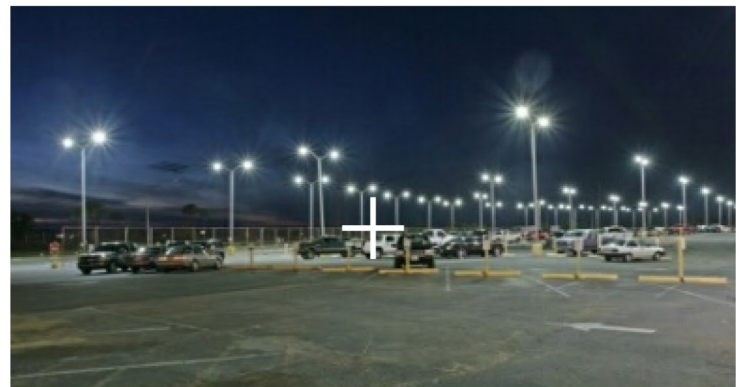
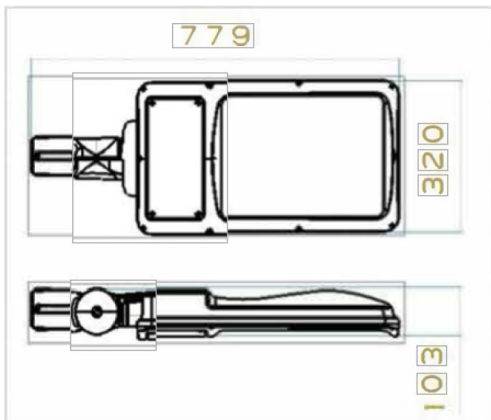
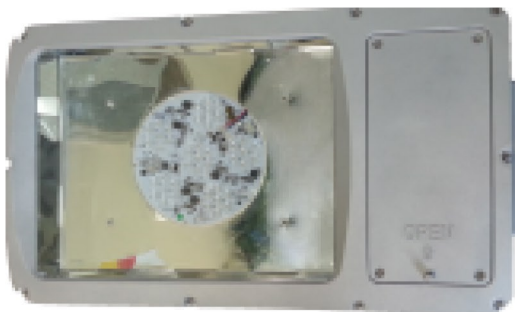
Designed to meet recommended luminance and illuminance requirements for local and major roadway / street classifications.

### GTL-RW-5498-1X-BL

Light Output: **6,761 lm**  
 Wattage: **90.32 w**  
 CCT: **4104k (R9 value =6.3)**  
 Efficacy: **74.86 lm/w**  
 CRI: **80.0**  
 PF: **0.954**  
 THD: **10.49%**  
 Zonal Lm 0-90° **99.9%**  
 Zonal Lm 80-90° **0.1%**  
 Nominal Wattage Setting: 95w  
 Driver=120-277vAC in, 24vDC out  
 TM21=60K / L70=100K+

## Warranty Information:

- Fixture - 10 year warranty
- Driver - 5 year warranty
- Solstice Light Engine - 10 year warranty



Fully Compliant with ARRA Buy American Requirements. Made in the USA.