

# 16" Gemini High Bay

## [250W High Bay Fixture]



### Accessories

Catalog #	Description
GT-LSP-120	Surge Protector. 120 V 10 kA Parallel. 20kA maximum discharge current.
GT-LSP-240	Surge Protector. 240 V 10 kA Parallel. 20kA maximum discharge current.
GT-LSP-277	Surge Protector. 277 V 10 kA Parallel. 20kA maximum discharge current.

### LED Module Compatibility

Product	Output Setting	LED Chip Drive Current [mA]	Rated Lumens [Lm]	Rated Watts [W]
GTSOL112 x 1	MH	2120	24290	260

### Description and Application:

High Performance LED High Bay with hook and cord.

Simply hook to ceiling and plug into power box or input line voltage.

### Features:

- Lumen Output: 21,700m
- Soft start
- Optimized for HDTV Broadcasts
- Instant On/Off
- No Flicker
- IP67 Rated (Optional)
- 0-10VDC Dimming compatible
- 0-10VDC Input Port.

### Wattage and Energy Selections by Dip Switch:

GTSOL112 – 250W

On board programs selected by Dip Switch:

**STD:** Standard Operation

**Dimm Sink** - Select when using an external 0-10V signal as source for dimming

**Dimm Source** - Select when GTSOL5498 is used as 10V source for dimmer switch

### Driver:

120-277VAC driver input.  
(Blue = Neutral, Brown = Hot)

### Additional Information:

Operating Temperature Range:  
up to +45 degrees Celsius

Optics offered for different distributions.  
(Dist. = 120° w/o secondary optics)

L70 > 60,000Hrs.

Life Sync adjusts module to operate at max performance in any given environment

Photometrics:  
.ies files available

Surge Protector:  
- Recommended for all outdoor applications

Warranty: Driver = 5 years  
Solstice Light Engine = 10 years  
Fixture = 10 years

Weight:  
Gemini 112 = Approx. 13.8lbs



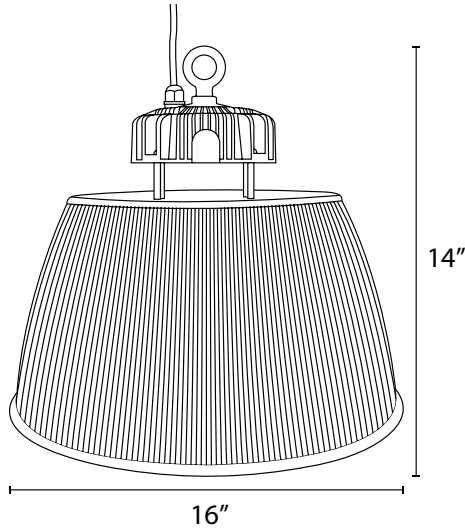
Fully Compliant with ARRA Buy American Requirements. Made in the USA.



# 16" Gemini High Bay

[250W High Bay Fixture]

## Details



Features

- Life Sync
- Module Temp Protection
- Lumen Depreciation Maintenance
- Wattage Selections (on board)
- On Board Programming
- 5-6-1 Energy Saving Program
- 0-10V Dimming
- Lumiled Luxeon LED chips
- Active Thermal Management
- Optical Distribution Options
- -45°C to 45°C Operating Temperature
- 10 Year Warranty

Ordering Code Example:

GTL-HB-G16 - 112 - MH - SV - BR - 25D

Fixture	Module	Wattage	Voltage		CCT	Lens	Accs	
GTL-HB-G16	112	MH (250W)	SV (120V-277V)		BR (5000K) [80CRI]	25D = 25D Lens	GT-LSP-120	
					BL (4000K) [80CRI]	50D = 50D Lens	GT-LSP-240	
						75D = 75D Lens	GT-LSP-277	

\* IP67 upgrade for module + fan

+ Upcharges not included in MSRP Price

Please see previous page for accessory information

**Fully Compliant with ARRA Buy American Requirements. Made in the USA.**