

GLOBALTECHLED UL/CUL

Specification for LED High Power PAR light

LED high power PAR light's Features:

Aluminum heat sink, No UV or RF interference, Patented heat sink and optical diffuser, longer life than incandescent & fluorescents . No mercury, no ballast required, wide voltage and constant current design, solid state, high shock & vibration resistant, Mercury free, 66%+ savings in energy consumption, quiet, no noise, no flickering. UL/CUL CERTIFIED.

Item NO: GT- PAR38-12x1.2W-001 Non-Dimmable

Wattage: 15W

Working Power Supply: AC 110V-277V

Lumens: 1000LM

Color Temperature: Warm White: 2600-3700K

Natural White: 4000-4800K

Daylight White: 5000-6500K

Cool White: 6500-7500K

CRI: 80

Lighting Angle: 30-60°

Lifespan: 5years

LED Q'ty: 12 pcs Cree/Seoul/Epistar LEDs

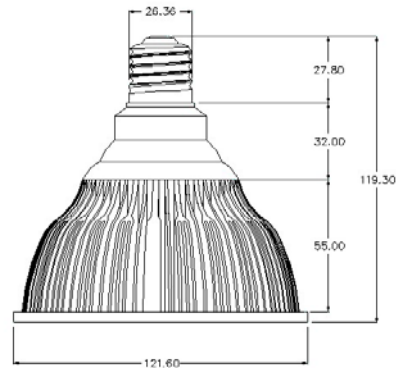
Base: E27, E26

Ambient Temperature: - 20~55 °C

Work Temperature: - 20~45 °C

Replaced By: 100W incandescent bulb

Power Factor: 0.8



Item NO: GT- PAR38-9x1.2W-001 Non-Dimmable

Wattage: 12W

Working Power Supply: AC 110V - 277V

Lumens: 800LM

Color Temperature: Warm White: 2600-3700K

Natural White: 4000-4800K

Daylight White: 5000-6500K

Cool White: 6500-7500K

CRI: 80

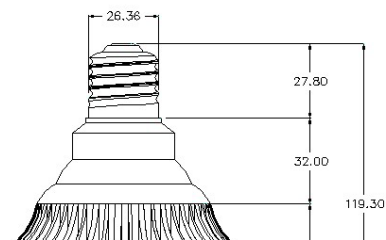
Lighting Angle: 30-60°

Lifespan: 5years

LED Q'ty: 9 pcs Cree/Seoul/Epistar LEDs

Base: E27, E26

Ambient Temperature: - 20~55 °C



GLOBALTECHLED UL/CUL

Work Temperature: - 20~45 °C
Replaced By: 75W incandescent bulb
Power Factor: 0.8

Item NO: GT- PAR38D-9x1.2W-001 Dimmable

Wattage: 12W
Working Power Supply: AC 110V /AC 220V
Lumens: 800LM
Color Temperature: Warm White: 2600-3700K
Natural White: 4000-4800K
Daylight White: 5000-6500K
Cool White: 6500-7500K

CRI: 80
Lighting Angle: 30-60°
Lifespan: 5years
LED Q'ty: 9 pcs Cree/Seoul/Epistar LEDs
Base: E27, E26
Ambient Temperature: - 20~55 °C
Work Temperature: - 20~45 °C
Replaced By: 75W incandescent bulb
Power Factor: 0.8

Item NO: GT- PAR38-15W- 003 Non-Dimmable

Wattage: 15W
Working Power Supply: AC 110V - 277V
Lumens: 1000LM
Color Temperature: Warm White: 2600-3700K
Natural White: 4000-4800K
Daylight White: 5000-6500K
Cool White: 6500-7500K

CRI: 80
Lighting Angle: 30-60°
Lifespan: 5years
LED Q'ty: 9 pcs Cree/Seoul/Epistar LEDs
Base: E27, E26
Ambient Temperature: - 20~55 °C
Work Temperature: - 20~45 °C
Replaced By: 100W incandescent bulb
Power Factor: 0.8

