

Specification for LED High Power PAR light

LED high power PAR light's Features:

Aluminum heat sink, No UV or RF interference, Patented heat sink and optical diffuser, longer life than incandescent & fluorescents . No mercury, no ballast required, wide voltage and constant current design, solid state, high shock & vibration resistant, Mercury free, 66%+ savings in energy consumption, quiet, no noise, no flickering. UL/CUL CERTIFIED.

Item NO: GT-PAR30-7x1.2W-001 Non-Dimmable

Wattage: 9W

Working Power Supply: AC 110V-277V

Lumens: 600LM

Color Temperature: Warm White: 2600-3700K

Natural White: 4000-4800K

Daylight White: 5000-6500K

Cool White: 6500-7500K

CRI: 80

Lighting Angle: 30- 60°

Lifespan: 5 years

LED Q'ty: 7 pcs Cree/Seoul/Epistar LEDs

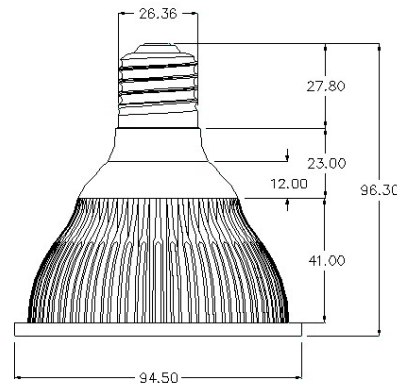
Base: E27, E26

Ambient Temperature: - 20~55 °C

Work Temperature: - 20~45 °C

Replaced By: 60W incandescent bulb

Power Factor: 0.8



Item NO: GT- PAR30D-7x1.2W-001 Dimmable

Wattage: 9W

Working Power Supply: AC 110V /AC 220V

Lumens: 600LM

Color Temperature: Warm White: 2600-3700K

Natural White: 4000-4800K

Daylight White: 5000-6500K

Cool White: 6500-7500K

CRI: 80

Lighting Angle: 30- 60°

Lifespan: 5 years

LED Q'ty: 7 pcs Cree/Seoul/Epistar LEDs

Base: E27, E26

Ambient Temperature: - 20~55 °C

Work Temperature: - 20~45 °C

Replaced By: 60W incandescent bulb

Power Factor: 0.8

GLOBALTECHLED UL/CUL

Dimming control Test Tolerance: $\pm 10\%$

GT-PAR30D-7x1W

Voltage (V)	100-120	90	80	70	60	50	40	30	20
Lumen (lm)	600	550	450	290	190	100	60	45	35

Item NO: GT-PAR30D-10W-003 Dimmable

Wattage: 10W

Working Power Supply: AC 110V / AC 220V

Lumens: 650LM

Color Temperature: Warm White: 2600-3700K
 Natural White: 4000-4800K
 Daylight White: 5000-6500K
 Cool White: 6500-7500K

CRI: 80

Lighting Angle: 30-60°

Lifespan: 5years

LED Q'ty: 6 pcs Cree/Seoul/Epistar LEDs

Base: E27, E26

Ambient Temperature: - 20~55 °C

Work Temperature: - 20~45 °C

Replaced By: 60W incandescent bulb

Power Factor: 0.8



Item NO: GT-PAR30-10W-003 Non-Dimmable

Wattage: 10W

Working Power Supply: AC 110V - 277V

Lumens: 650LM

Color Temperature: Warm White: 2600-3700K
 Natural White: 4000-4800K
 Daylight White: 5000-6500K
 Cool White: 6500-7500K

CRI: 80

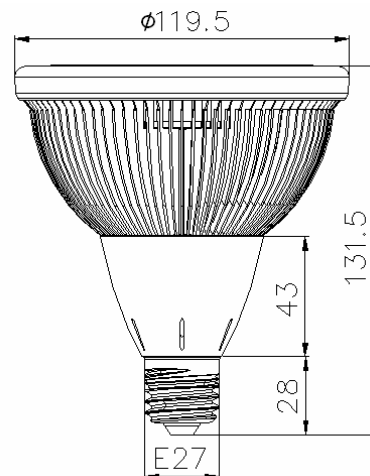
Lighting Angle: 30-60°

Lifespan: 5years

LED Q'ty: 6 pcs Cree/Seoul/Epistar LEDs

Base: E27, E26

Ambient Temperature: - 20~55 °C



GLOBALTECHLED UL/CUL

Work Temperature: - 20~45 °C

Replaced By: 60W incandescent bulb

Power Factor: 0.8